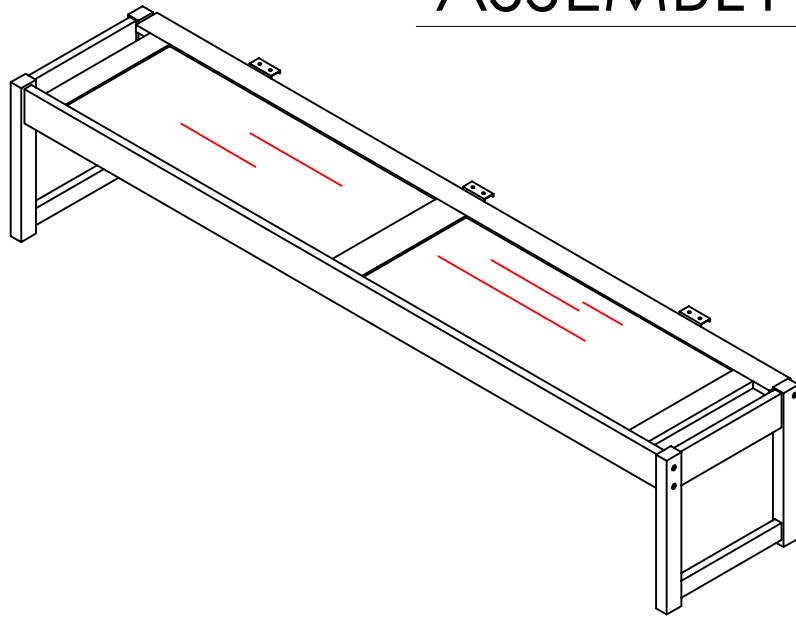


# ASSEMBLY INSTRUCTIONS



## ASSEMBLY TIPS




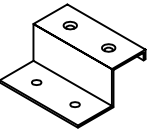



1. Remove hardware from box and sort by size.
2. Please check to see that all hardware and parts are present prior start of assembly.
3. Please follow attached instructions in the same sequence as numbered to assure fast and easy assembly.



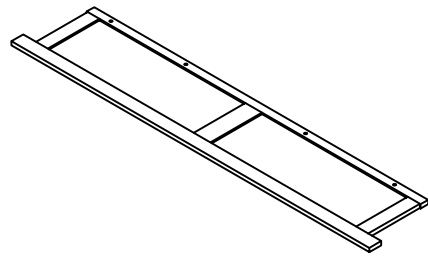
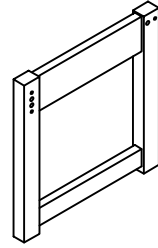
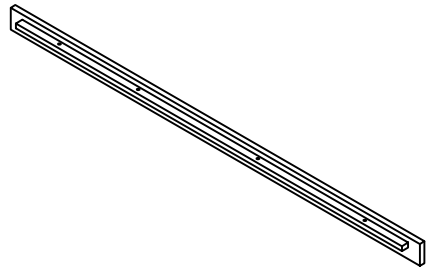
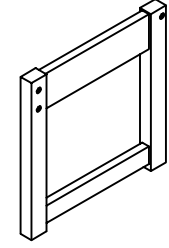
## Warning !

1. Don't attempt to repair or modify parts that are broken or defective. Please contact the store immediately.
2. This product is for home use only and not intended for commercial establishments.

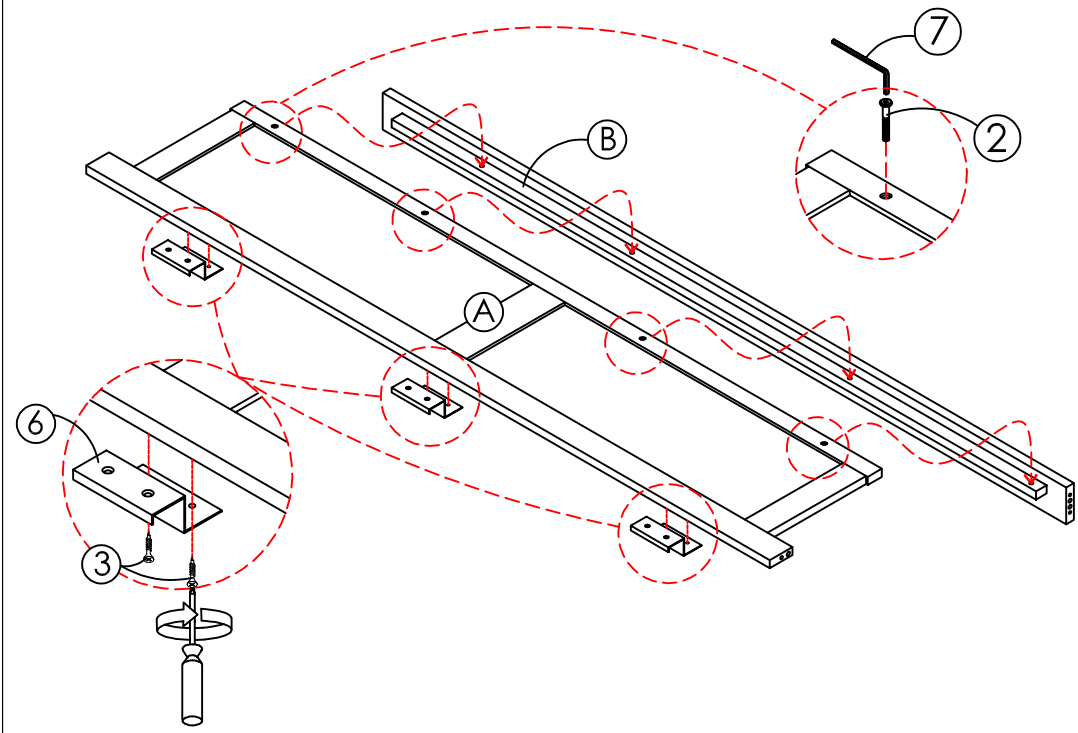
### HARDWARE LIST

1		6 PCS	5		6 PCS
	JCBC M6 x 70mm			BARREL NUT M6 x 13mm	
2		4 PCS	6		3 PCS
	JCBC M6 x 30mm			BRACKET	
3		12 PCS	7		1 PC
	WOOD SCREW 3.5 x 16mm			ALLEN KEY M4	
4		6 PCS			
	WOOD DOWEL Ø10 x 30mm				

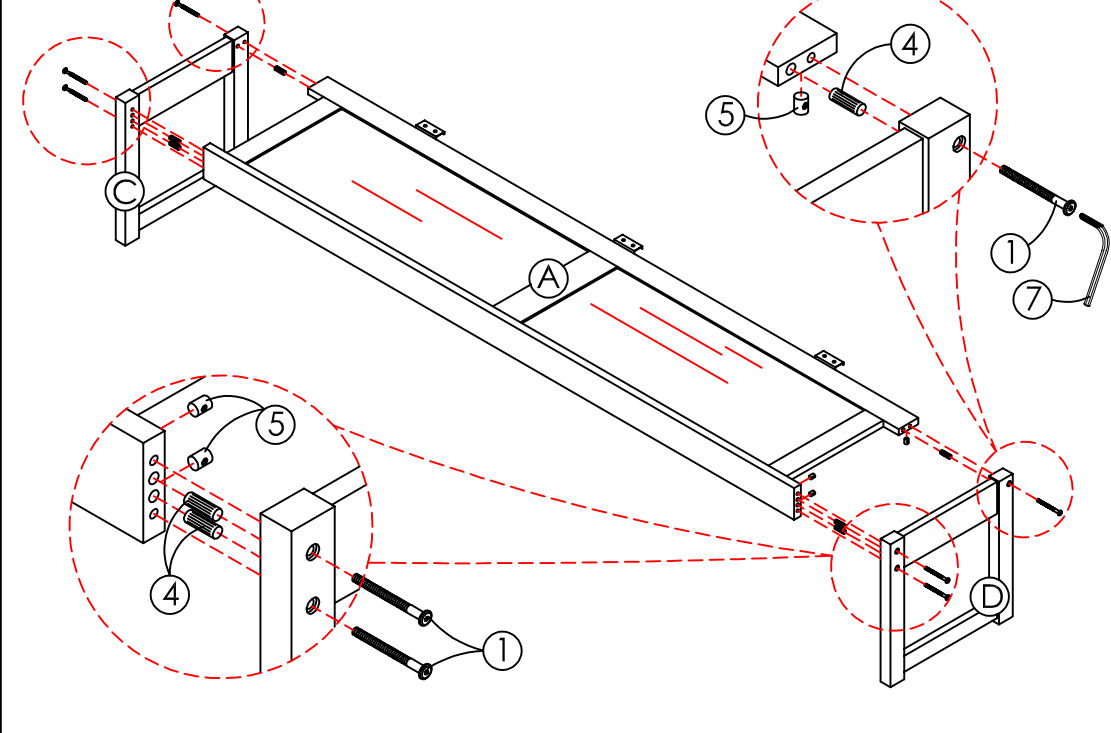
### COMPONENT LIST

A		1 PC	C		1 PC
	TOP PANEL			LEFT LEG	
B		1 PC	D		1 PC
	FRONT RAIL			RIGHT LEG	

STEP 1



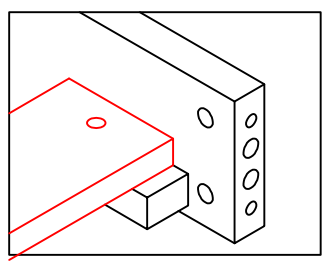
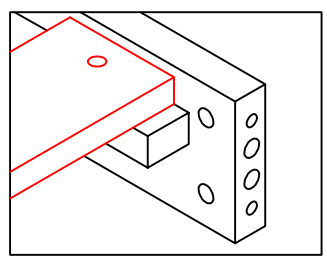
STEP 2



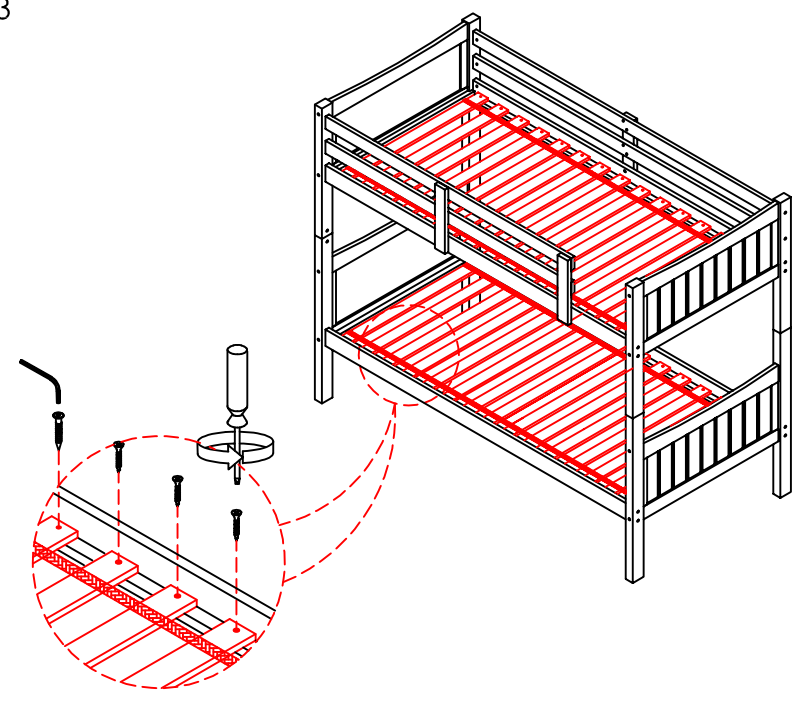
IMPORTANT NOTE:

BEFORE ADDING THIS EXTENSION KIT TO YOUR CURRENT BUNK, PLEASE MAKE SURE THE SLAT OF LOWER BUNK IS AT THE SAME LEVEL WITH SIDE RAIL EDGE AS SHOWN IN PICTURE BELOW

IF IT IS NOT IN THE SAME LEVEL, PLEASE FOLLOW STEP 3 - 5 TO RE-ASSEMBLE THE SIDE RAIL.

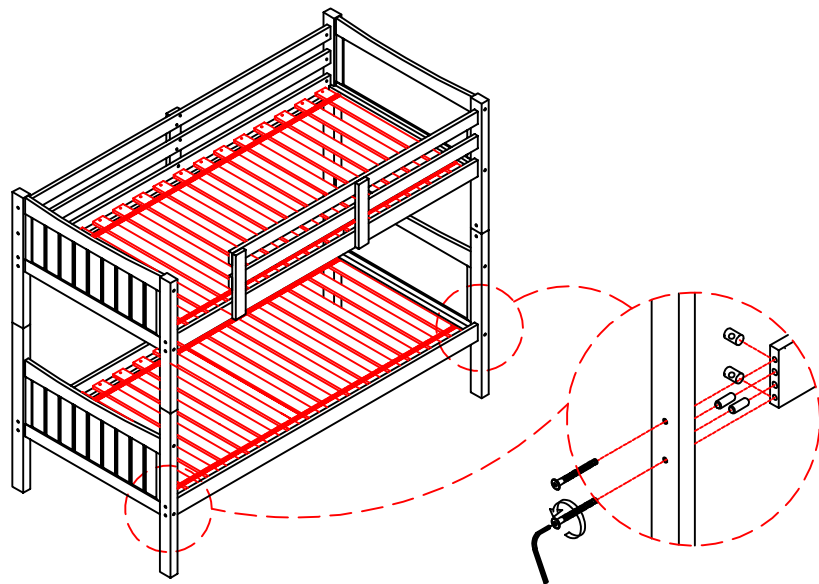


STEP 3



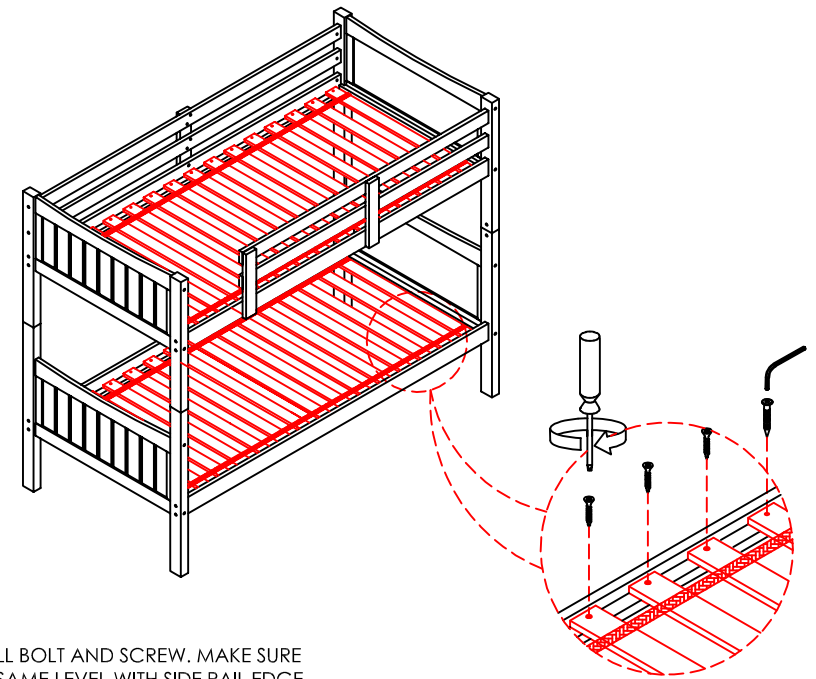
UNSCREW SLAT FOR LOWER BUNK ONLY.

STEP 4



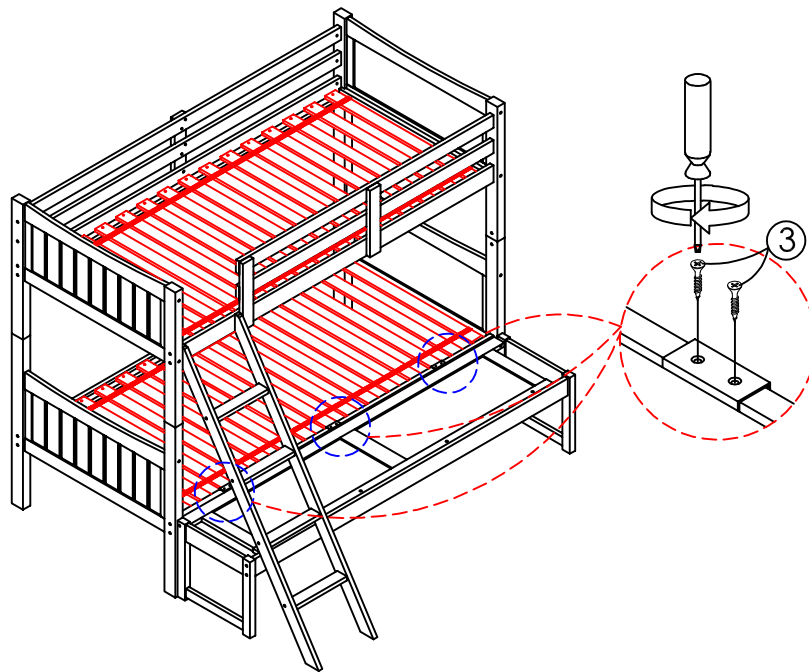
UNSCREW THE BOLT FOR SIDE RAIL AND MAKE SUIKE SLAT SUPPORT IS PLACED UPWARD.

STEP 5



TIGHTEN ALL BOLT AND SCREW. MAKE SURE SLAT IS AT SAME LEVEL WITH SIDE RAIL EDGE.

STEP 6



COMPLETE ASSEMBLY

