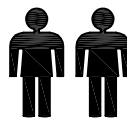


DESCRIPTION: 5 BOX M/U TV/OTTOMAN BED

1 HOURS

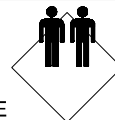
APPROXIMATE ASSEMBLY TIME

2 PERSON ASSEMBLY



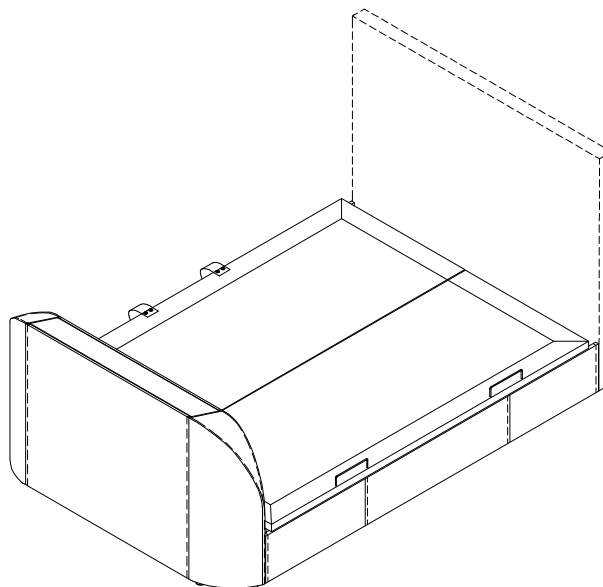
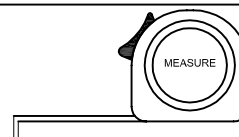
FLOOR AREA
2.0m X 2.7m

REQUIRED ASSEMBLY SPACE



ASSEMBLY INSTRUCTIONS

REQUIRED ASSEMBLY TOOLS



Important Information

- We suggest you spend a short time reading through this leaflet and then follow the simple step-by-step instructions.
- Carefully check that you have all the parts before beginning assembly.
- Keep fittings out of children's reach and keep children well away from construction area.
- We suggest you retain these instructions for future reference.

Product Information

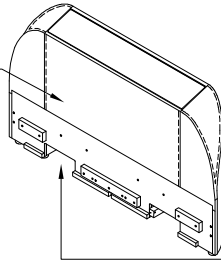
- TV bed.
- Upholstered Bed. Conforms to BS EN 1725 & BS 5852.
- TV Lift system has a maximum load capacity of 80lbs (37kg)
- Compatible with slimline LED televisions with a screen size of 20" to 42".
- **Can accommodate some TV's up to 43", however the TV size must be within the maximum T.V dimensions.**
- Maximum T.V dimensions D75mm x W970mm x H580mm (WITHOUT STAND)

Whereas every effort has been made to allow this product to utilise the maximum number of TV's available it is not possible to accommodate every product in an ever changing market. It is the responsibility of the customer to ensure suitability of the TV to the TV bed before attempting operation. It is the customers responsibility to ensure all wiring is correctly placed in accordance with both the TV and TV bed manufacturer.

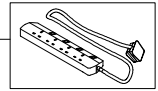
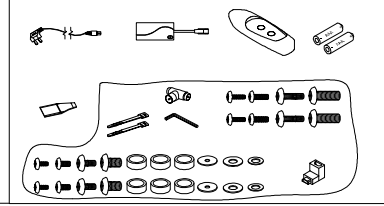
Components of Carton 1

(A) Footboard x 1

TV Mechanism
pre-fixed in the foot end

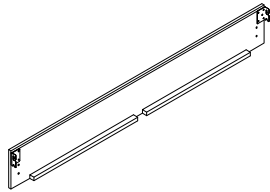


Hardware Box

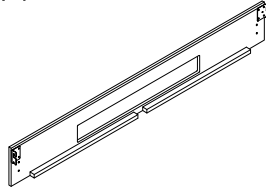


Component of Carton 2

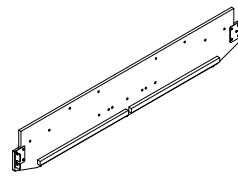
(B) Side Rail-1 x 1



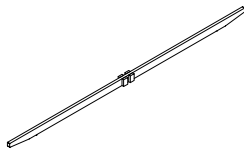
(C) Side Rail-2 x 1



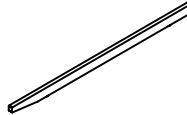
(D) Head End Panel x 1



(E) Bottom Cross Rail (Long) x 1



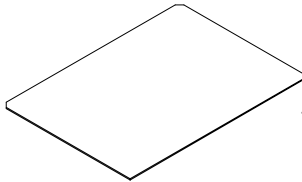
(F) Bottom Cross Rail (Short) x 2



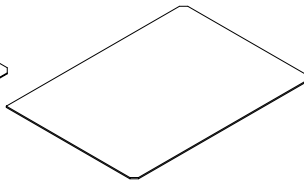
Hardware
Bag

Components of Carton 3

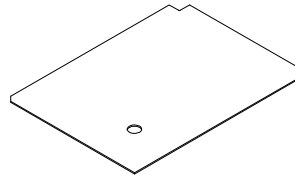
(G-1) Base Panel Left
x 1 (Head End)



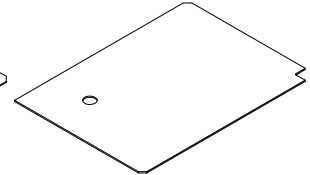
(G-2) Base Panel
Right x 1 (Head End)



(H) Base Panel Right
x 1 (Foot End)

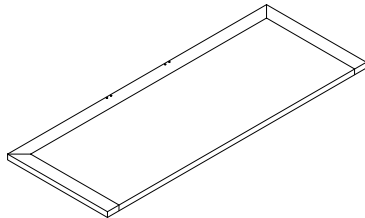


(I) Base Panel Left x 1
(Foot End)

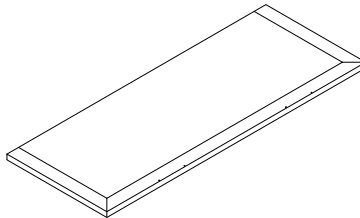


Components of Carton 4

(J) Lift Base -1 x 1

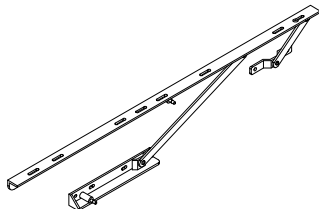


(K) Lift Base -2 x 1

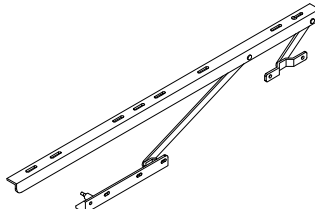


Components of Carton 5

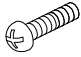

(L) Lift Up Mechanism-1 x 1



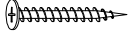
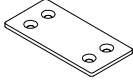



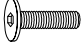




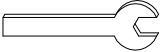


(M) Lift Up Mechanism-2 x 1



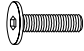

Hardware List (in Carton 1)

(O) M8 x 25mm x 10 (Pre-Installed) 	(P) M8 x 18mm x 6 (Pre-Installed) 		
--	---	--	--

Hardware List (in Carton 2)

(Q) #8 x 1-1/4" x 16 	(R) 3 X 40 X 86mm x 4 	(S) Strap Handle x 2 	(T) M8 x 13mm x 4 
(U) Gas Spring x 2 	* DOUBLE 650N * KING 800N * SUPER KING 1100N	(V) M6 x 20mm x 4 	(W) M6 x 16mm x 4 
(X) Ø5 x 80 x 200mm x 2 	(Y) Screw Driver x 1 	(Z) Allen Key (M4) x 1 	(AA) Spanner x 1 
(AB) Rubber Stopper Ø46 X 50mm x 4 	(AC) M8 x 18mm x 4 		

Hardware List (in Carton 4)

(AD) M6 x 20mm x 14 (Pre-Installed) 	(AE) M6 x 16mm x 12 (Pre-Installed) 
---	---

Tips before you start!

1. Please check that all parts are present before you start the assembly of your furniture.
2. For ease and speed of assembly, we recommend that before you commence each step of the assembly, that you identify all the parts required for that step.
3. For larger items, please ensure that you have sufficient space and people (as indicated on page 1) to assemble your product safely. (Minimum Two Persons)
4. We recommend where possible, all items are assembled near to the area where they will be placed in use, to avoid moving the product unnecessarily once assembled.
5. Please ensure that your bed is placed on a level floor area. (Avoid setting up and installing your bed on uneven floor surface.)
6. For the protection of your furniture, we recommend that the product is placed on a protected surface during assembly to prevent any damage.
7. During assembly please take care not to over-tighten any fittings, as this may damage the product.

Care and Maintenance of your Furniture

- Please do not jump on your furniture.
- Never allow any kind of liquid to remain on your furniture. This can cause finishes to de-laminate. Take care when spraying Perfume and deodorants etc as the vapour can settle on the fabric surface and cause damage.
- The bed should always be lifted into position if moved for cleaning.

Care Instructions (For PU & Fabric)

- Avoid exposing the furniture to excessive heat or direct sunlight as this can cause cracking and deterioration of the colour.
- Periodically check & re-tighten any fastener.
- Periodically dust lightly with a clean soft cloth.
- Do not use silicone based furniture polish.
- Any spills should be removed immediately with a soft damp cloth.
- Never allow any kind of liquid to remain on your furniture. This can cause finishes to de-laminate. Take care when spraying Perfume and deodorants etc as the vapour can settle on the fabric surface and cause damage.
- TAKE CARE WHEN MOVING THE FURNITURE AND NEVER DRAG THE PIECES ACROSS THE FLOOR, AS THIS WILL CAUSE DAMAGE TO THE JOINTS.

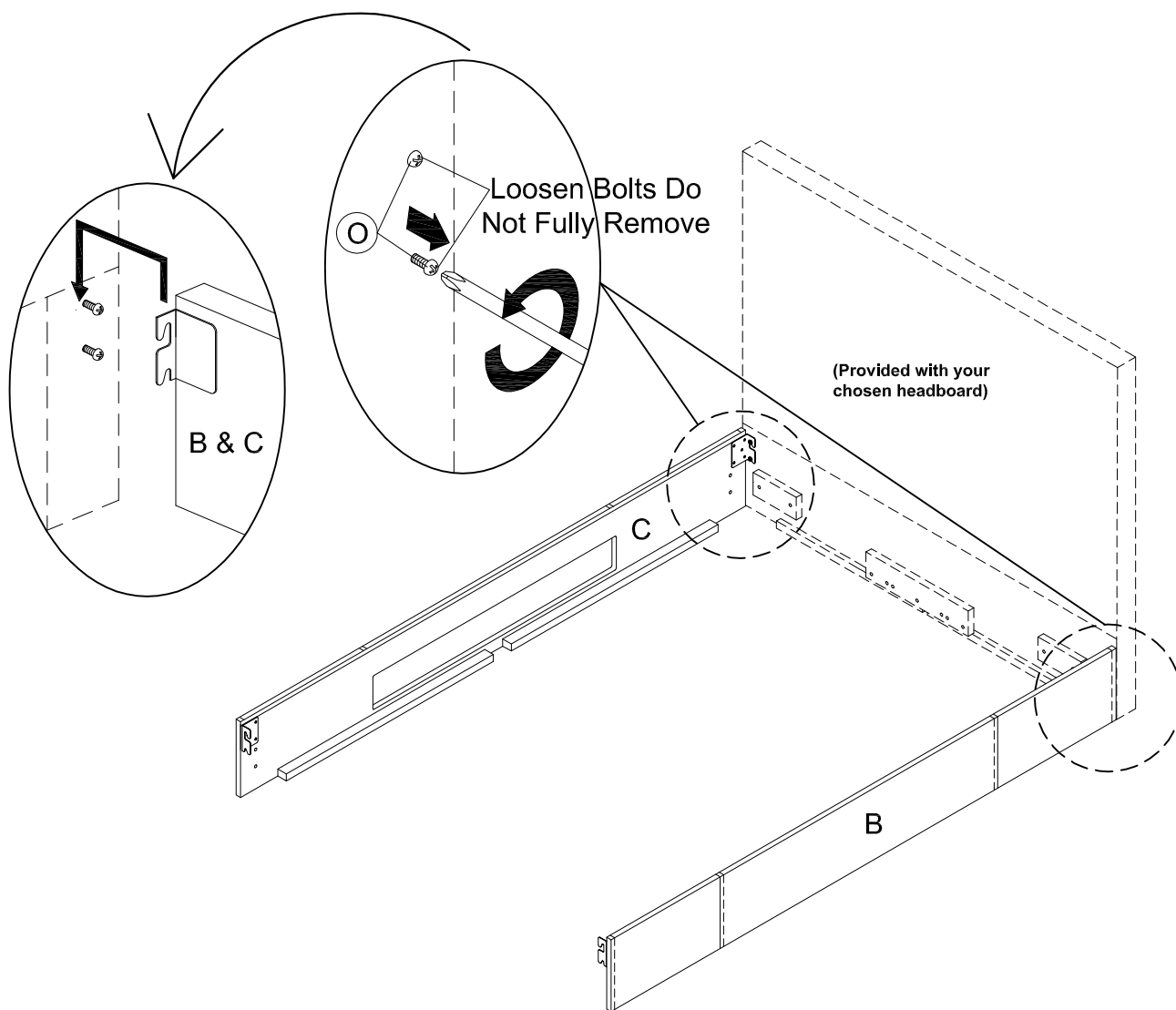
Care Instructions (for Velvet Material)

- If liquid has spilled onto the velvet, soak it up with a paper towel or cloth. Make sure there is no food or debris left on the material. Combine a small amount of dish soap and water in a bucket, mixing it until it become soapy. Soak the cloth in the soapy water and apply it gently to the stain. Use the soapy cloth to blot the stain until it disappears. It is important for the velvet fabric to dry quickly. Use a hair dryer on a lukewarm setting to accelerate the drying process.
- Carefully apply the upholstery cleaner to velvet with soft sponge, leaving the velvet's pile undisturbed. After it is clean, be sure to vacuum and brush the velvet follow the grain always.
- A steam cleaner is perfect for removing stains, dirt and debris, disinfecting the velvet fabric, without leaving any damage to it.
- If you have concerns regarding liquid/stain removal on your product, please consult a professional cleaning company.

DO NOT USE ANY POWER TOOLS AS THIS MAY DAMAGE THE FRAME AND WILL INVALIDATE ANY CLAIM

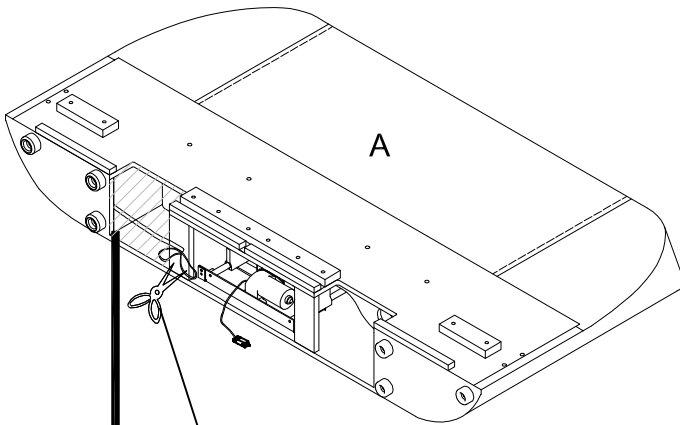
Step 1

- Before assembly please decide which side you require the "DVD / Media Compartment "Part C" side rail with opening will need to be placed at that side
- Loosen the bolts located in the chosen head end. (Note: only loosen the bolts Do NOT remove them.)
- Hook the side rail over the bolts as shown.
- Repeat the action on the opposite side.



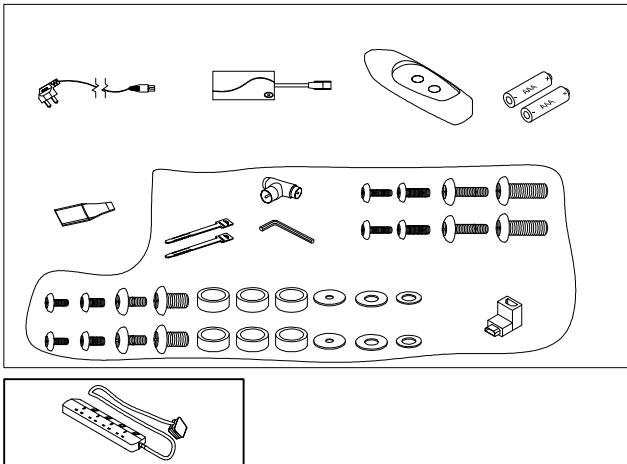
Step 2

- Carefully remove the foot end from carton 1, remove the Hardware Box and all extra transportation packaging from inside.
- To do this you will need to gently lay the foot end on it's back. Before doing so please ensure the area is completely free of anything that may cause damage or press into the fabric. Place a protective cover on the floor to avoid possible damage.
- The controls and hardware are held in place by string please carefully cut these and remove.

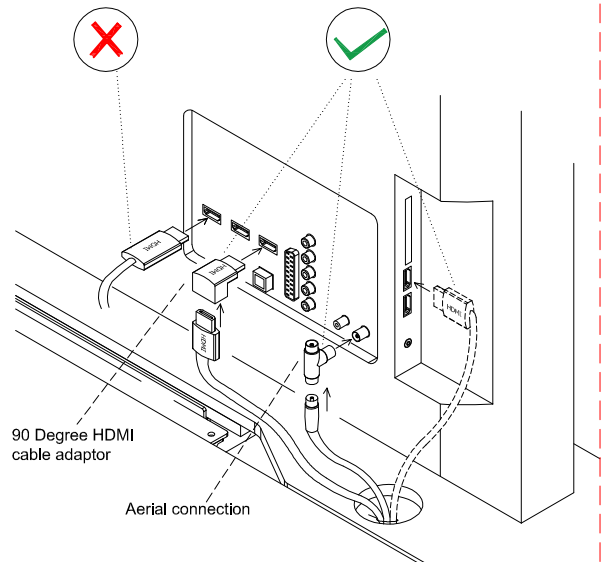


CAUTION:
PLEASE USE SCISSORS TO CUT THE STRING.
TAKE CARE WHEN REMOVING THE ACCESSORY BOXES NOT TO CATCH YOUR HANDS ON THE SIDES.

Hardware Box

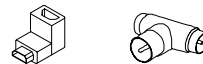


YOUR TELEVISION REAR VIEW
HDMI CABLE PLUG POSITION POSSIBLE SCENARIO'S



Attention Please Note : Connecting Your HDMI or Aerial Cable as shown in diagram (X) can seriously Damage Your TV sockets.

To reduce this possibility we have supplied 90 degree adaptors for both HDMI and Aerial connections.



This will reduce the cable protrusion and lessen the possibility of the cable colliding with the bed frame.

These can be found in the bed frame hardware pack located in Box 1 (foot end). Please refer to the diagram above for the correct fitting of cables. More detailed information can also be found on step 12 of your assembly instructions.

The manufacturer or retailer will not accept responsibility for any damages arising from incorrect installation.

ATTENTION! PLEASE NOTE:

In the event you are experiencing any technical difficulties and you require additional assistance/ support with your product 'Mechanical/ Electrical' function - Please contact:

SUPPORT EMAIL : support@bssbfurnitureinnovation.com

UK PRODUCT SUPPORT HOTLINE : 01462600064

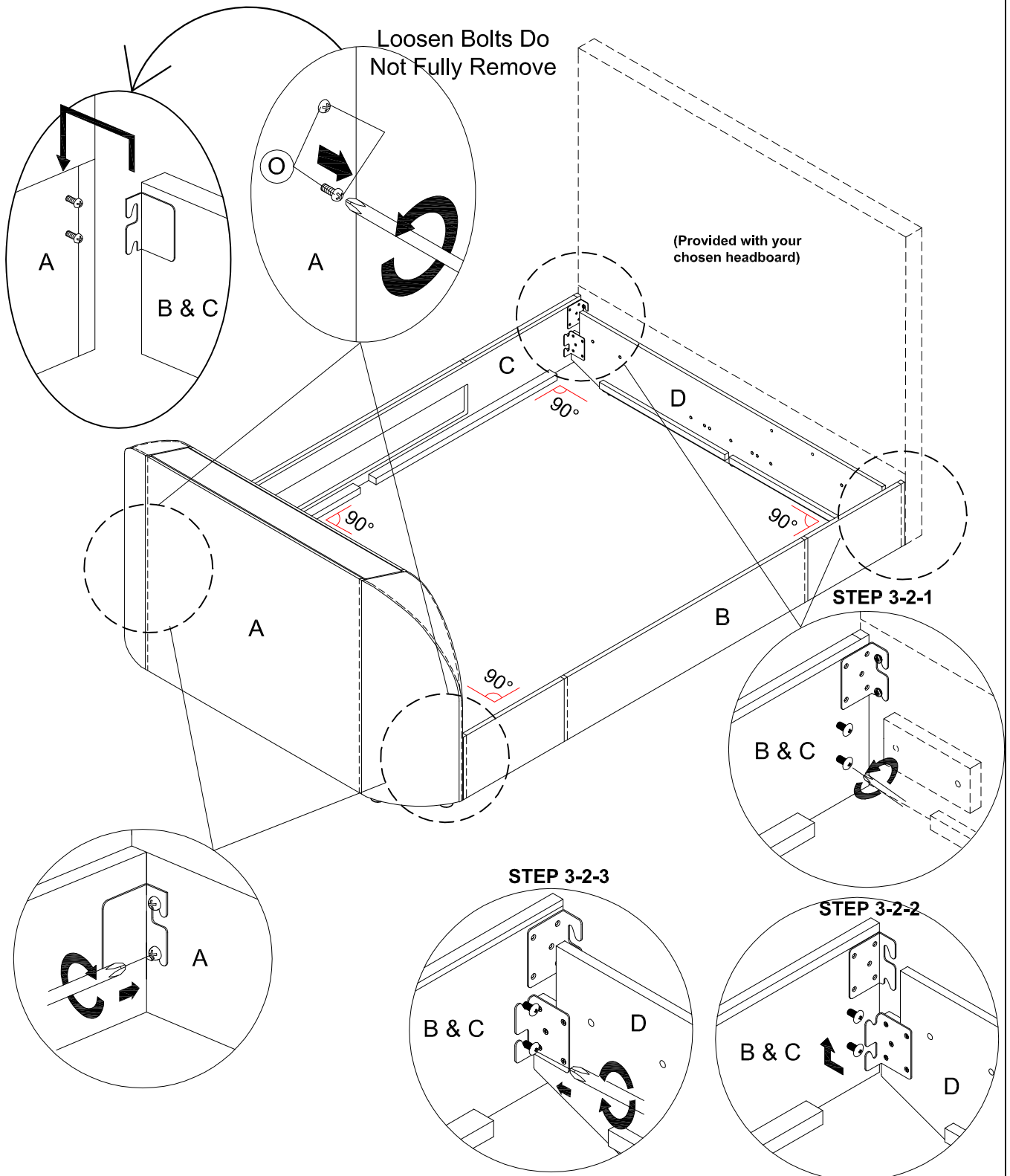
Contact your retailer for all other issues such as damage, missing or faulty components (non electrical) or anything else of a non technical/electrical nature.

Step 3-1

- Carefully lift the foot end back to it's upright position.
- Loosen the bolts located in the foot end.
- Please note these should only be loosened and NOT removed.
- Hook the side rail brackets over the bolts on both sides.

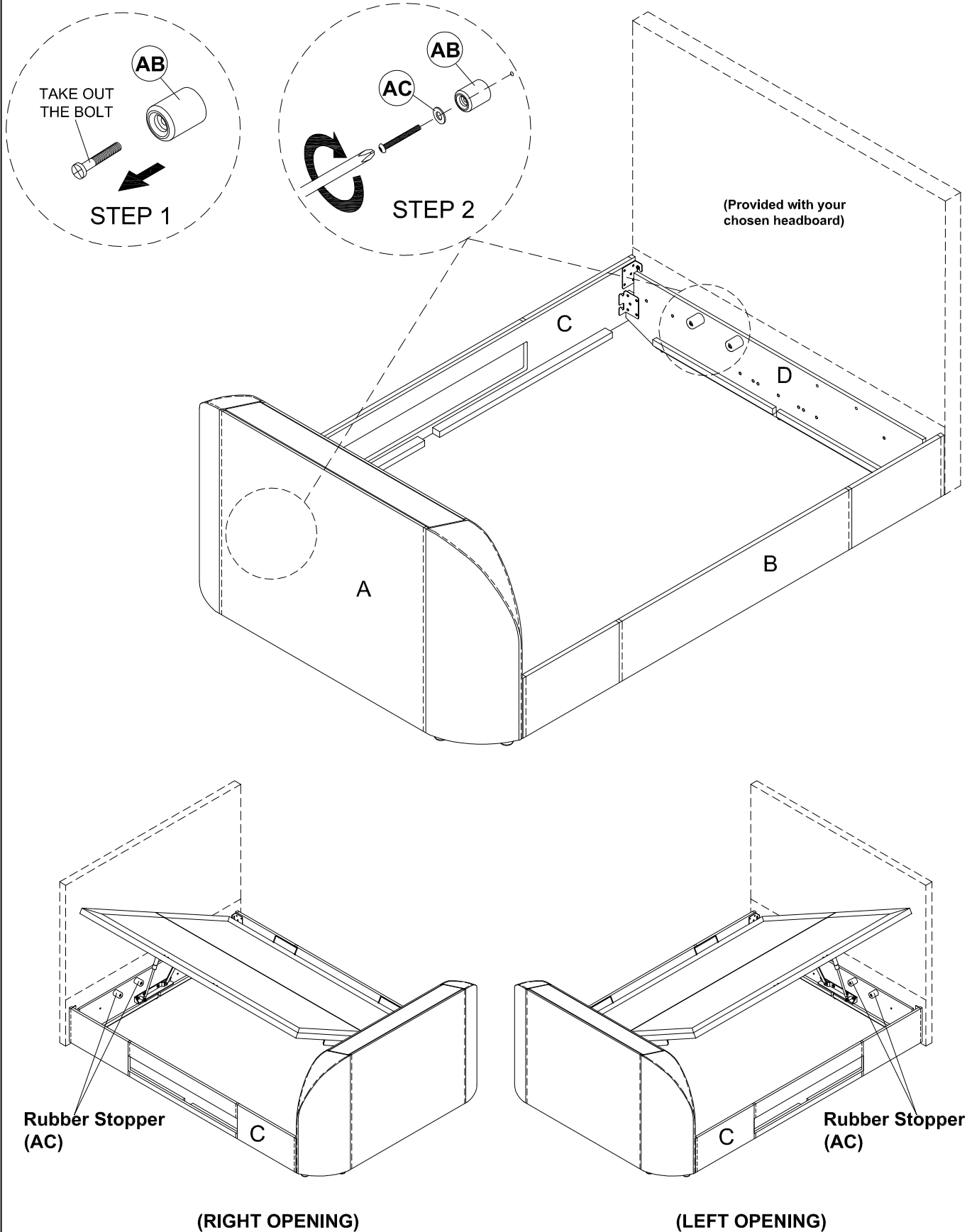
Step 3-2

- Attach the Head End Panel "D" as shown.
- Loosen the bolts attach to the side rail as shown. (Note : only loosen the bolts do NOT remove them)
- Hook the head end panel over the bolts as shown.
- Repeat the action on the opposite side.
- Tighten all the bolts in side rail & head end panel. (Ensure all angles are at 90°)



Step 4

- Attach the rubber stopper (AB) with bolt and washer (AC) to the foot end & head end panel using screwdriver (Y) provided as shown.
- The rubber stopper must be fixed to follow the lift base opening side as shown below.



Step 5

- Installing Batteries in the TV mechanism Wireless Remote Control.

Battery:

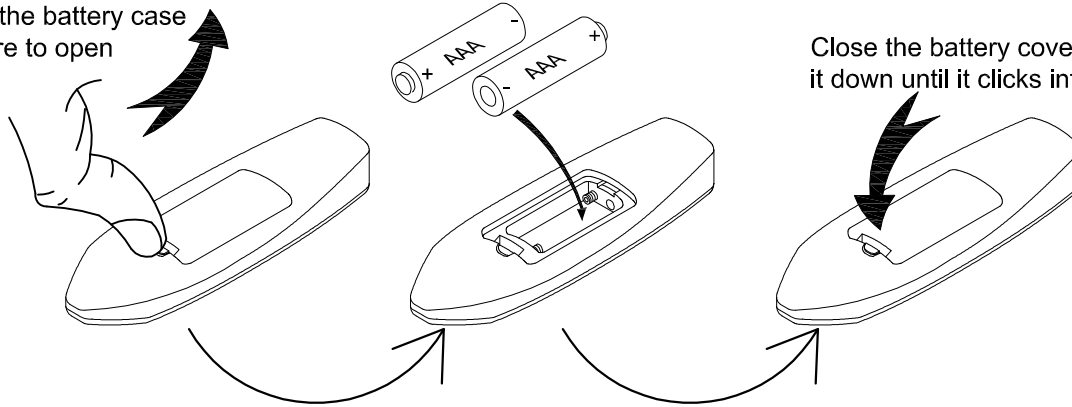
Size: AAA - Ø10.5 X T44.5mm

Spec.: 1.5V

(AAA) Batteries x 2pcs (provided) install to battery case.

Caution: May explode or leak if recharged, inserted improperly, mixed with different battery types. Do not open battery. Dispose of used batteries promptly. Keep away from children.

Pull out the battery case from here to open



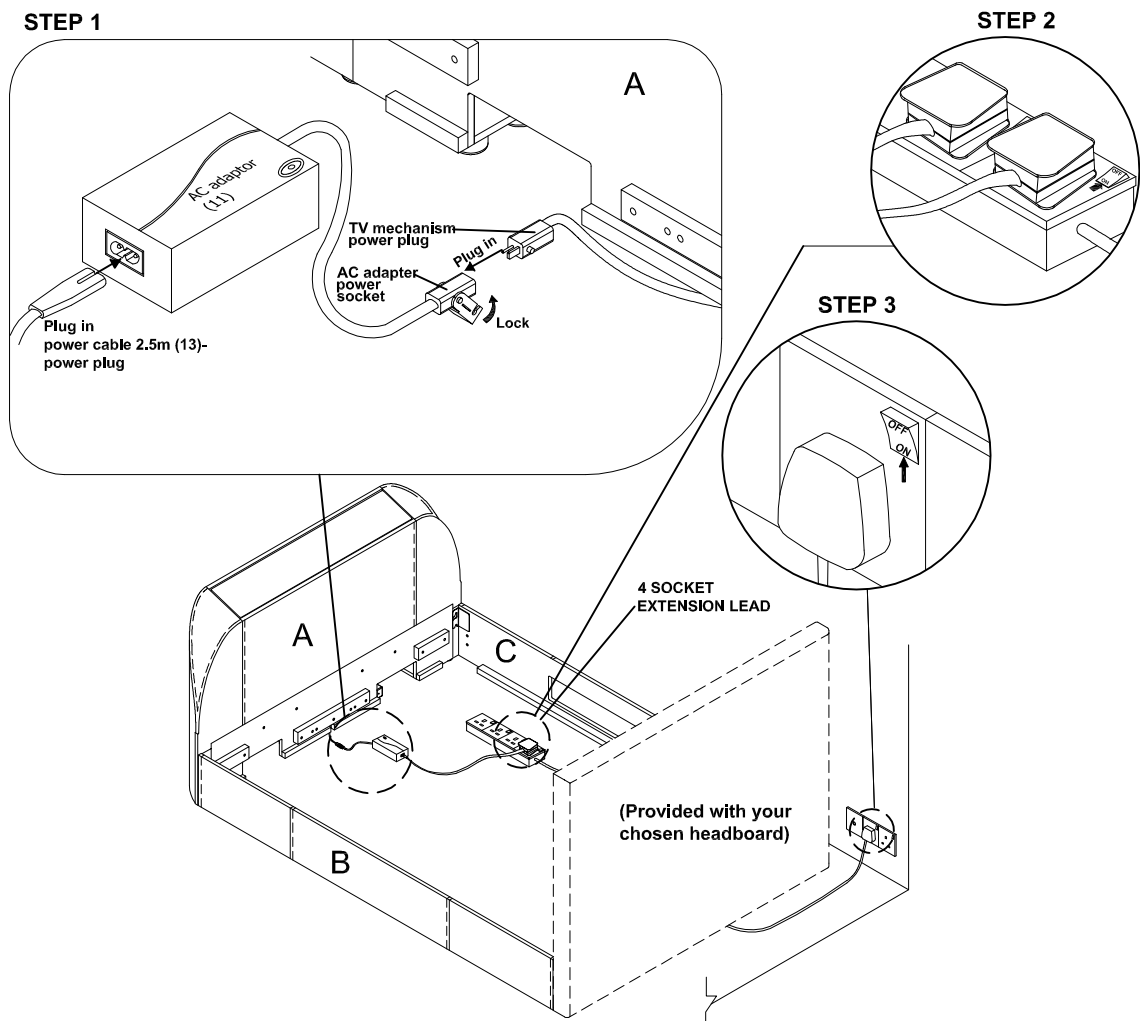
Close the battery cover and press it down until it clicks into place.

Step 6

- Connecting the TV mechanism cable as shown. It is essential that connecting to the power supply is done in this order. Failure to do so will result in damage to your product.

Step 6-1 Connect the Power Cable (13) to the TV mechanism adaptor (11), then plug the TV mechanism adaptor power plug into the TV mechanism receiver, which is pre-installed in the footboard, as shown.

Step 6-2 Connect the power cable (13) power plug into an 4 socket extension lead, then switch on.



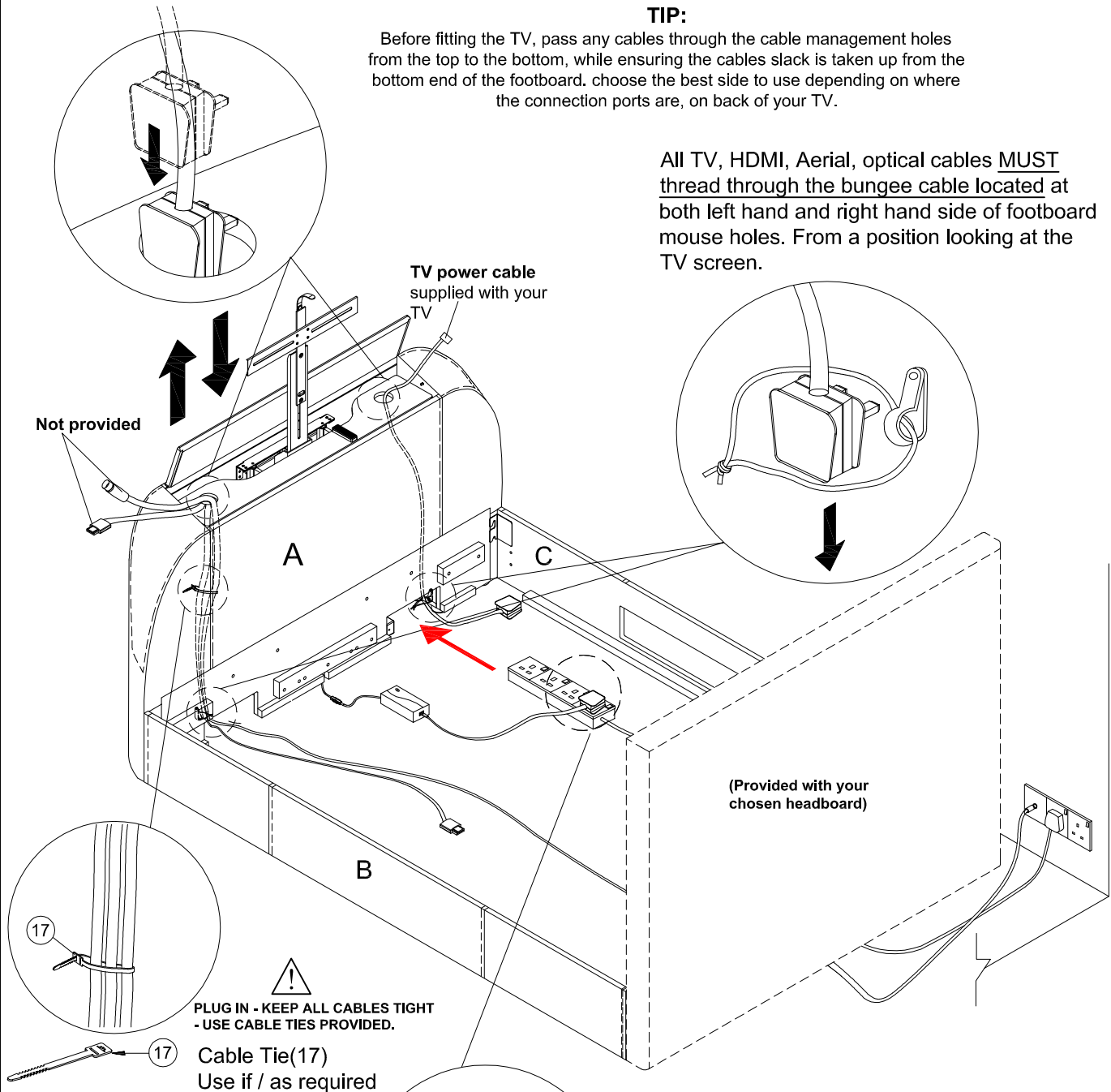
Step 8

- TV cable connection plan. Make sure you have all the relevant cable connections required (HDMI cable, TV Aerial cable, TV power cable, Optical cable etc...) before you install the TV.
- The cable management holes are provided in the TV Tray to help you manage the cable's to keep them tidy and free from snags. Pass all cables cleanly through these holes. While ensuring any cable slack is taken up from the bottom end of the footboard.

TIP:

Before fitting the TV, pass any cables through the cable management holes from the top to the bottom, while ensuring the cables slack is taken up from the bottom end of the footboard. choose the best side to use depending on where the connection ports are, on back of your TV.

All TV, HDMI, Aerial, optical cables MUST thread through the bungee cable located at both left hand and right hand side of footboard mouse holes. From a position looking at the TV screen.



Insert the 4 socket extension lead to the footboard mouse hole.

Place all cables through the 'Cable Management' holes to prevent any damage to the cable when the TV Lift Mechanism is operating. Make sure all your the cables are long enough to let the TV Lift Mechanism move freely.

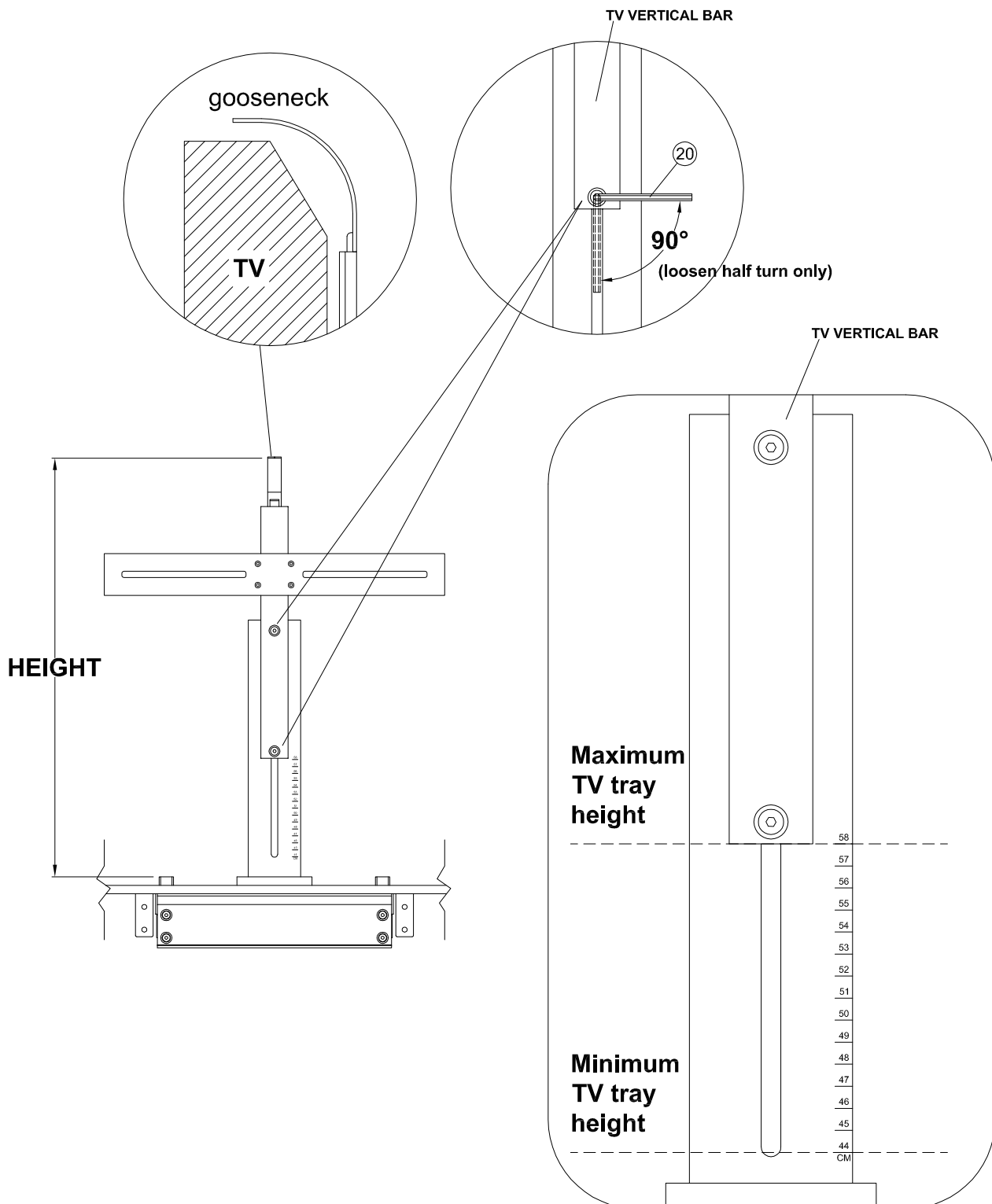
All the cables MUST be carefully pulled and fully extended.

Group the cables together as required below the TV Tray using cable tie(17) provided.

Step 9

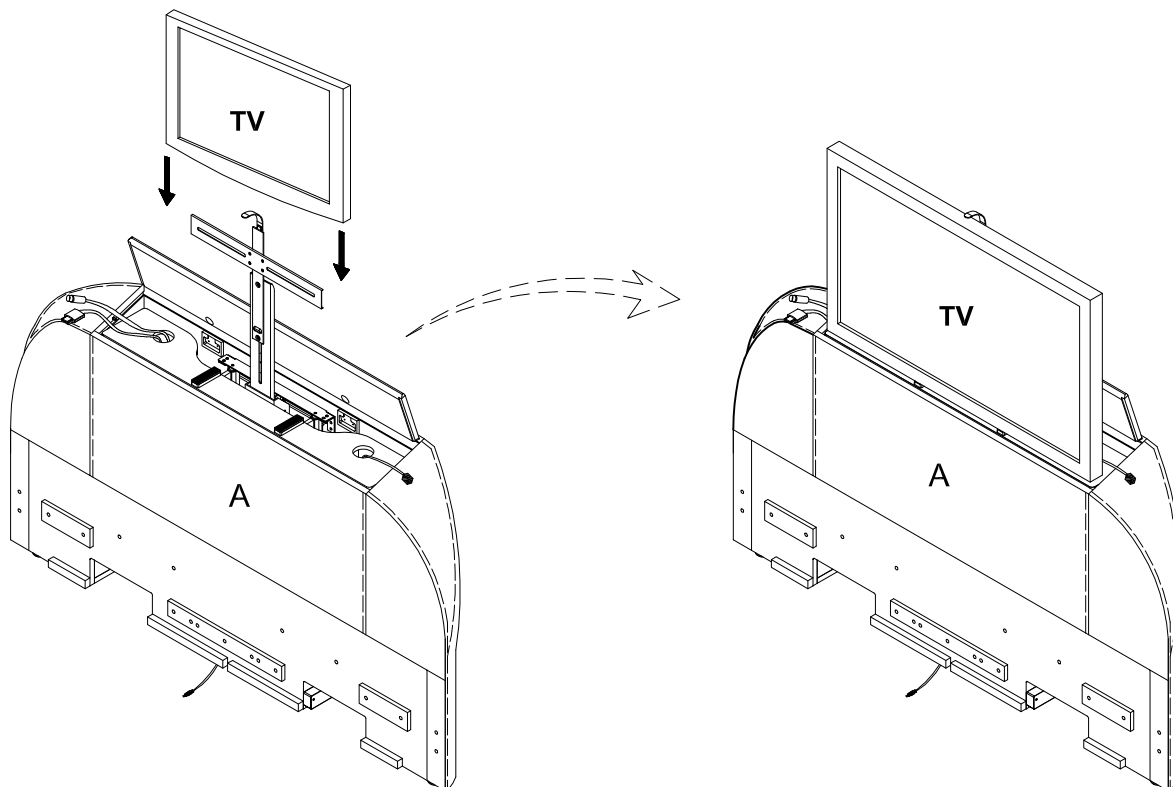
- To adjust the TV tray to suit the height of your TV (without stand). Please follow step below
 - 9.1 : Measure and make a note of the height (without stand!).
 - 9.2 : Use the Allen key (20) to slightly loosen the up/down adjuster bolts-half turn only, do not remove all. (Please refer diagram below)
 - 9.3 : Slide "the TV vertical bar up/down, while using the measure line matching the noted measurement height of your TV. Then fully tighten the bolts.
 - 9.4 : When the TV is mounted it should sit neatly just beneath the lid opening Gooseneck.

Note: TV's lower than the minimum height of 440mm, are not compatible with the TV mounting bracket system.



Step 10

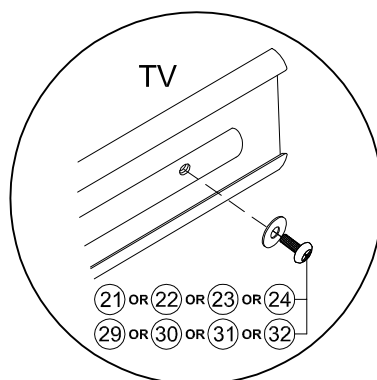
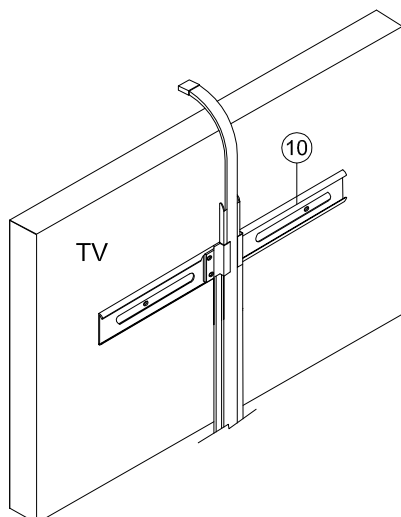
- You are now ready to install your TV.
- Raise the mechanism to it's highest position.
- While standing behind your television (on the outside end of the footboard). - 'Facing the headboard'
- Carefully place the TV on top of the two rubber TV mounting pedestals - ensuring the Gooseneck arm is perfectly inline with the 'centre' of the TV.



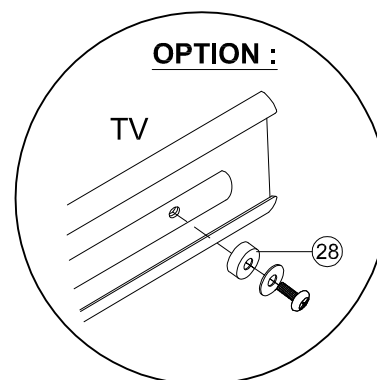
Step 11

- TV Flat Bracket (vesa bracket).

Please note : Item (21), (22), (23), (24), (29), (30), (31) or (32) TV fixing screws are compatible with most TV models. However sizes may differ depending on the TV model. If smaller or larger size screws are required these should be sourced from your local hardware store or TV specialist. Washers may also be required. Your retailer may also supply alternative fixings depending on the TV model supplied at the time.



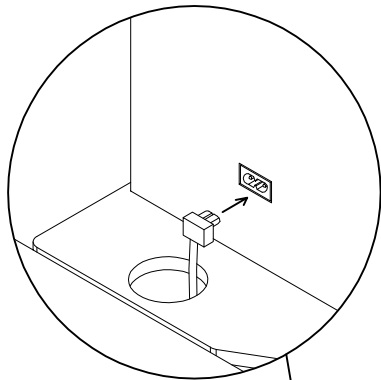
BOLT	(21)	(22)	(23)	(24)
BOLT	(29)	(30)	(31)	(32)
WITH	↓	↓	↓	↓
WASHER	(25)	(25)	(26)	(27)



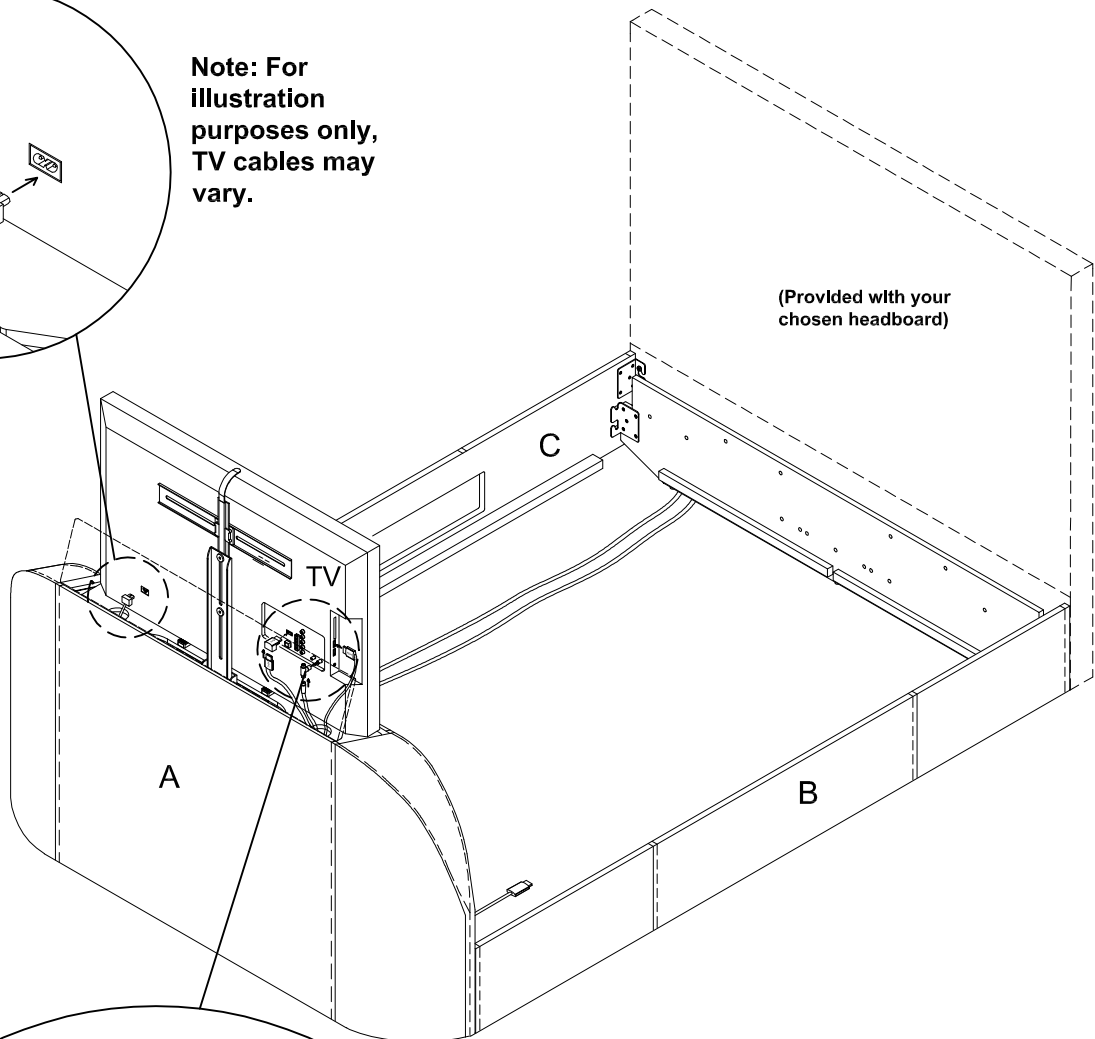
OPTION :
In the event you find the screws are too long for the TV with bracket please use Plastic collar (28) if required.

Step 12

- Connect all relevant cables to the TV.

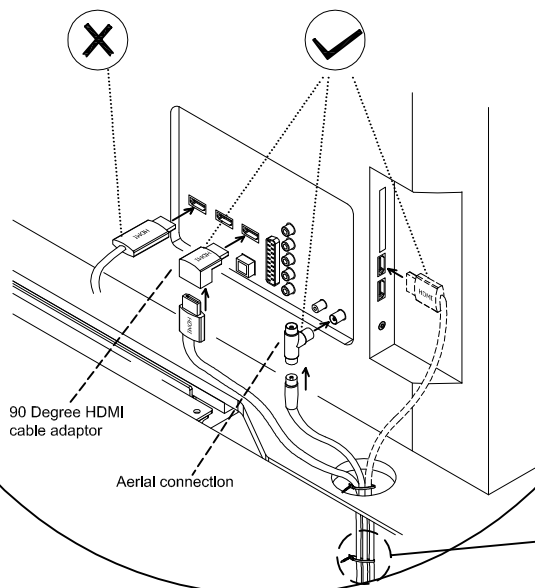


Note: For illustration purposes only, TV cables may vary.



Note: For illustration purposes only, TV cables may vary.

YOUR TELEVISION REAR VIEW
HDMI CABLE PLUG POSITION POSSIBLE SCENARIO'S



Attention Please Note : Connecting Your HDMI or Aerial Cable as shown in diagram (X) can seriously Damage Your TV sockets.

To reduce this possibility we have supplied 90 degree adaptors for both HDMI and Aerial connections.



This will reduce the cable protrusion and lessen the possibility of the cable colliding with the bed frame. **These can be found in the bed frame hardware pack located in Box 1 (foot end).** Please refer to the above diagram for the correct fitting of cables. More detailed information can also be found on above diagram of your assembly instructions.

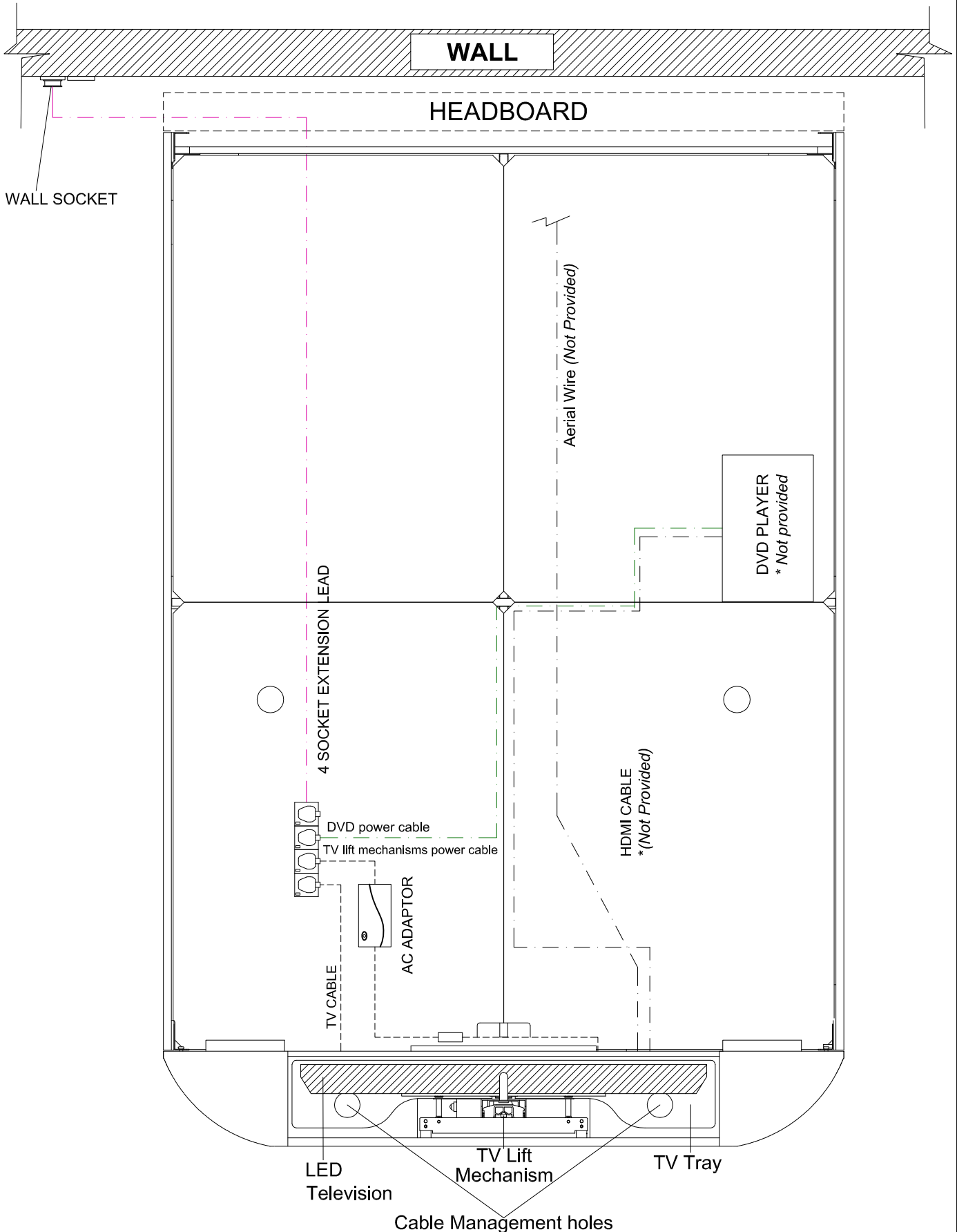
The manufacturer or retailer will not accept responsibility for any damages arising from incorrect installation.

17 Cable Tie(17)
Use if / as required

NOTE: The cable ports for televisions, DVD, TV aerial, Optical etc may not be the same as shown above and may vary depending on TV models.

Step 13

- Detail connection plan.

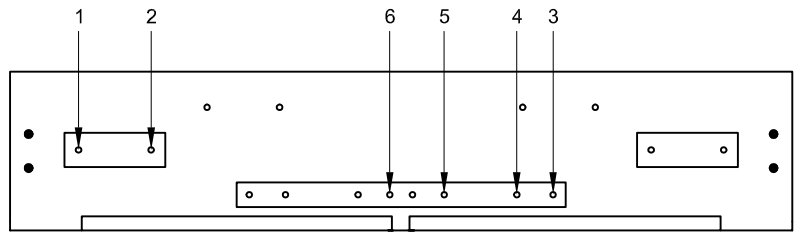


Note: Please ensure you thread the relevant TV connection cables through the provided holes in the TV Tray - please avoid crossing cables across the rear of the TV lift mechanism area.

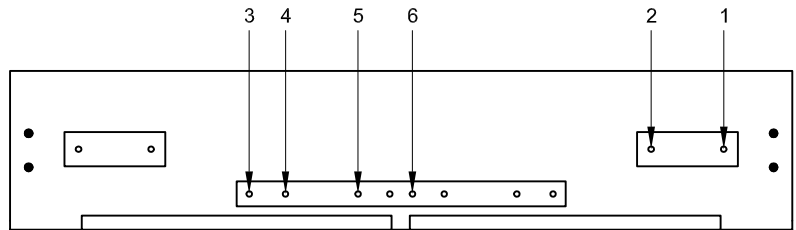
HOLES DETAIL FOR FIXING LIFT UP MECHANISM

DOUBLE BED

**LEFT SIDE LIFT UP
FOR DOUBLE BED
(VIEW ON FOOT END)**

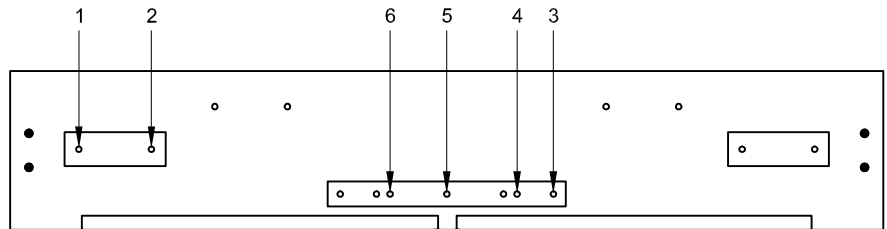


**RIGHT SIDE LIFT UP
FOR DOUBLE BED
(VIEW ON FOOT END)**

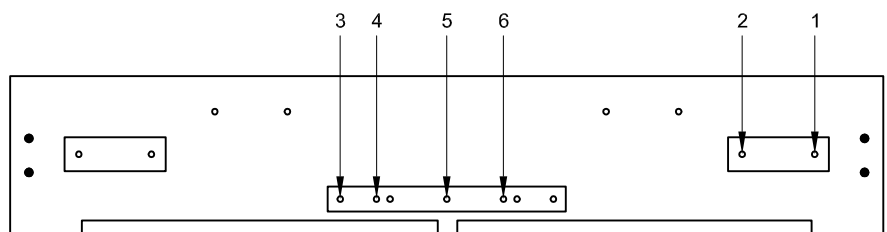


KING BED

**LEFT SIDE LIFT UP
FOR KING BED
(VIEW ON FOOT END)**

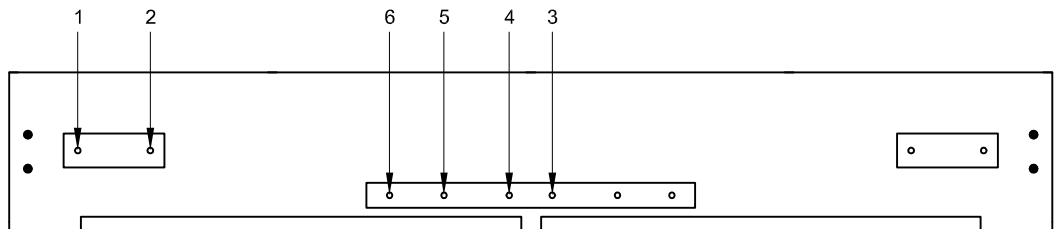


**RIGHT SIDE LIFT UP
FOR KING BED
(VIEW ON FOOT END)**

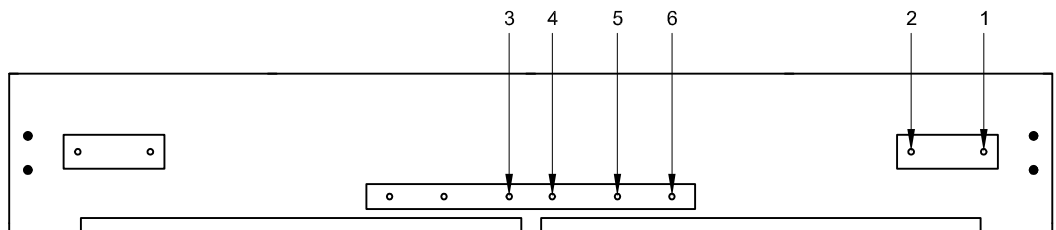


SUPER KING BED

**LEFT SIDE LIFT UP
FOR SUPER KING BED
(VIEW ON FOOT END)**

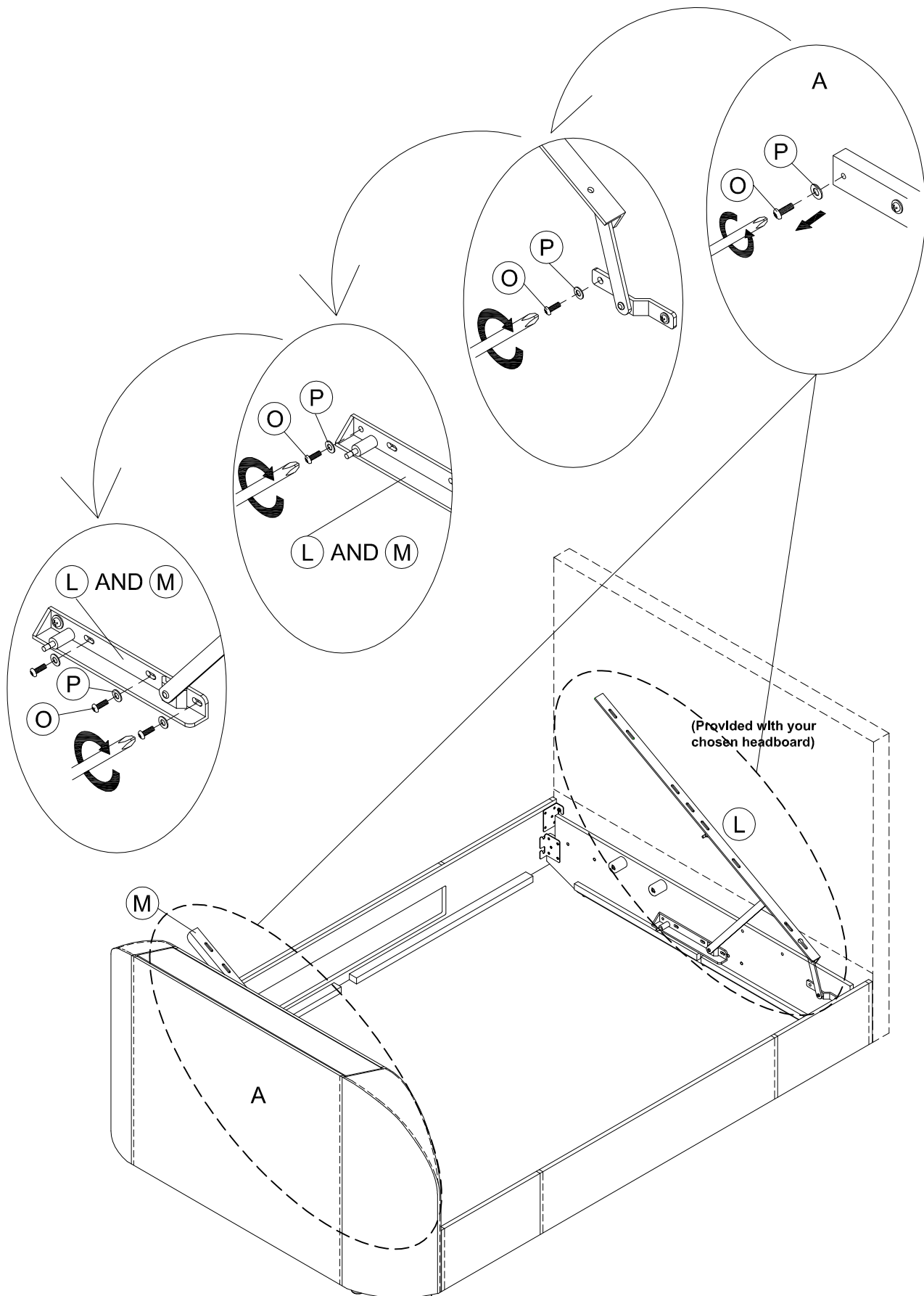


**RIGHT SIDE LIFT UP
FOR SUPER KING BED
(VIEW ON FOOT END)**



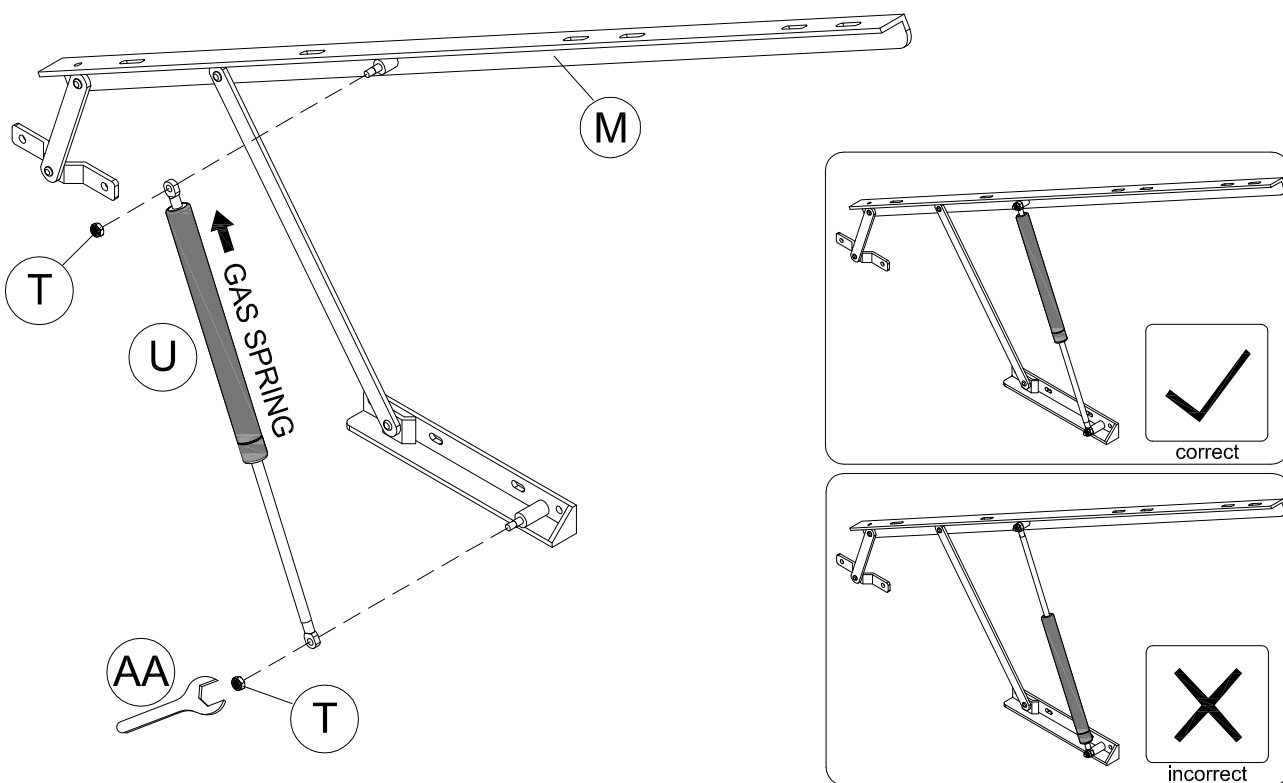
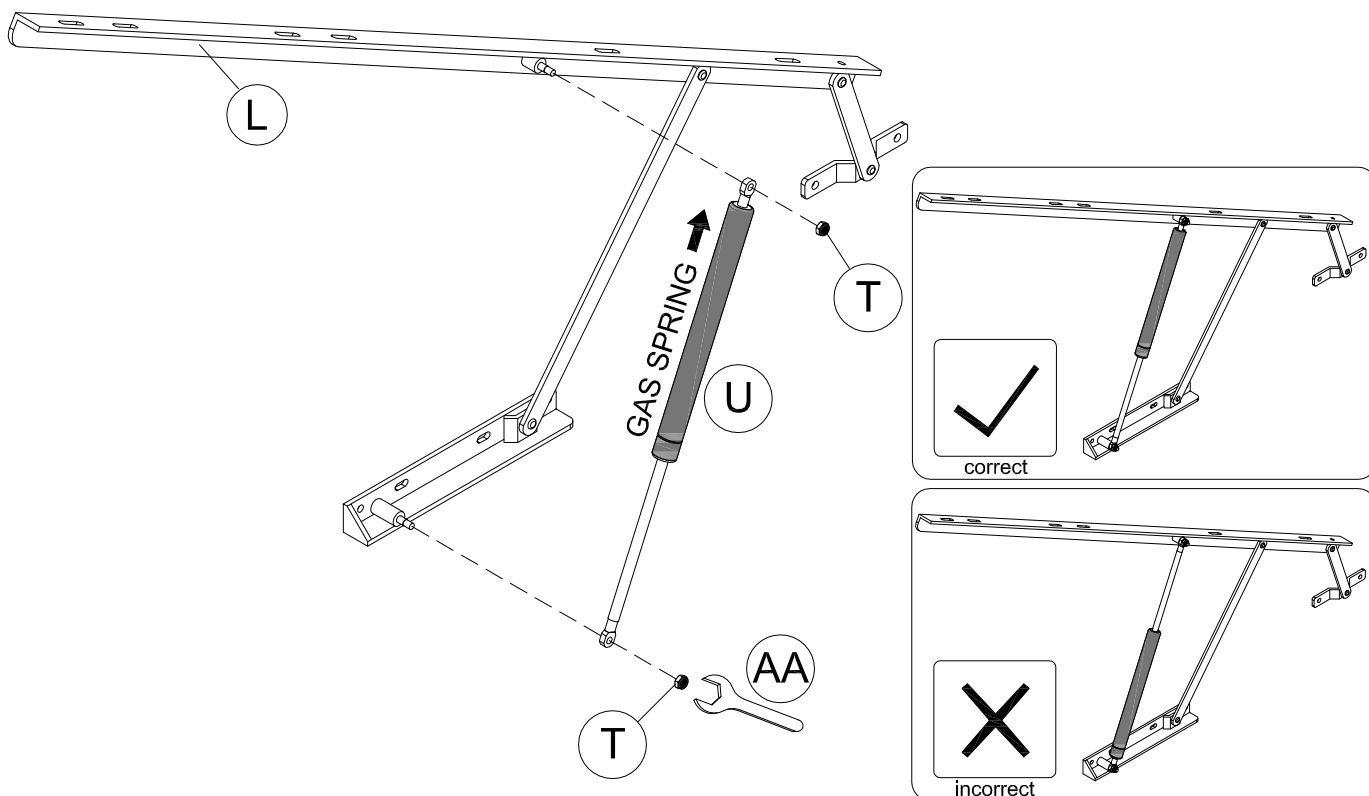
Step 14

- Take out the bolt and washer from head and foot ends.
- Attach the lift up mechanism using the bolt and washer.



Step 15

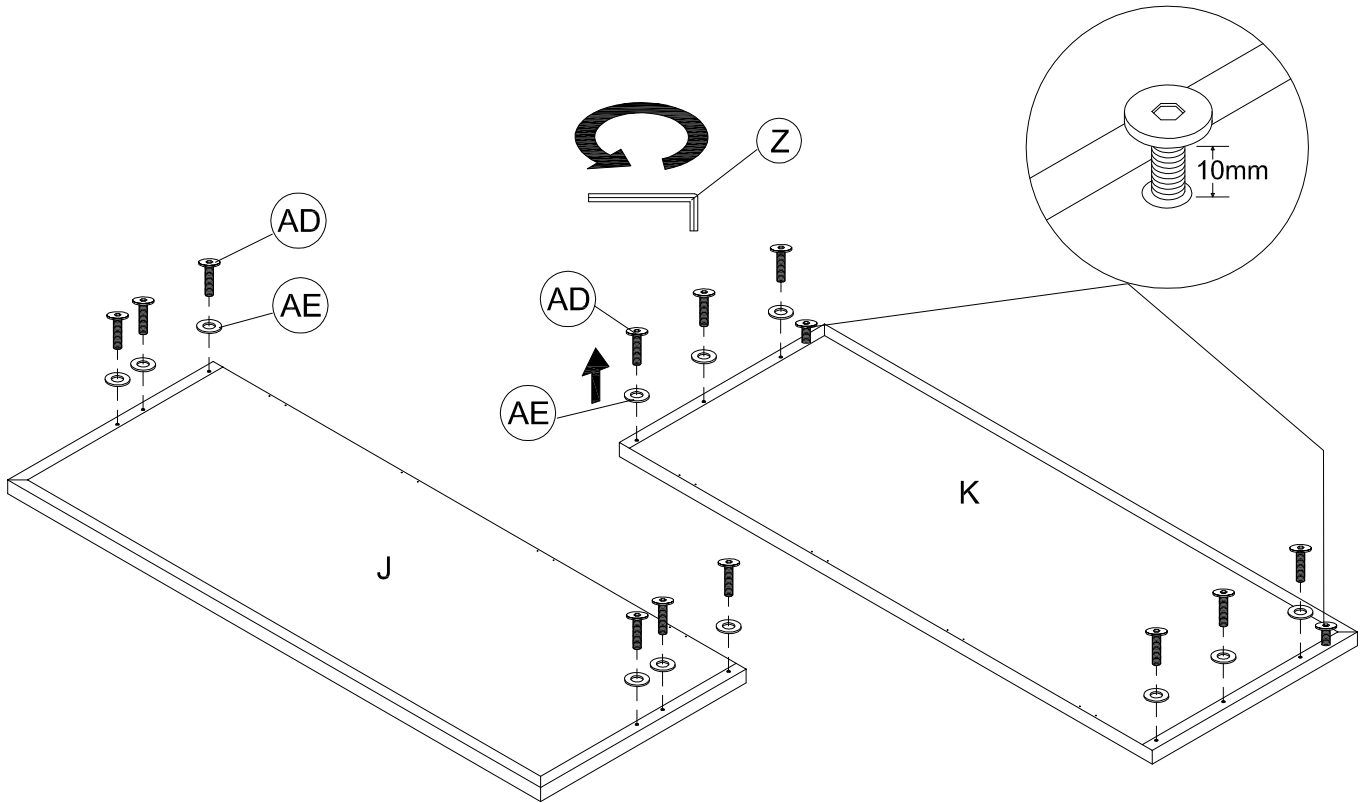
- Attach the gas spring to the lift up mechanism using the nylon nut.



FULLY TIGHTEN ALL NUTS AFTER ATTACHING THE PISTONS.

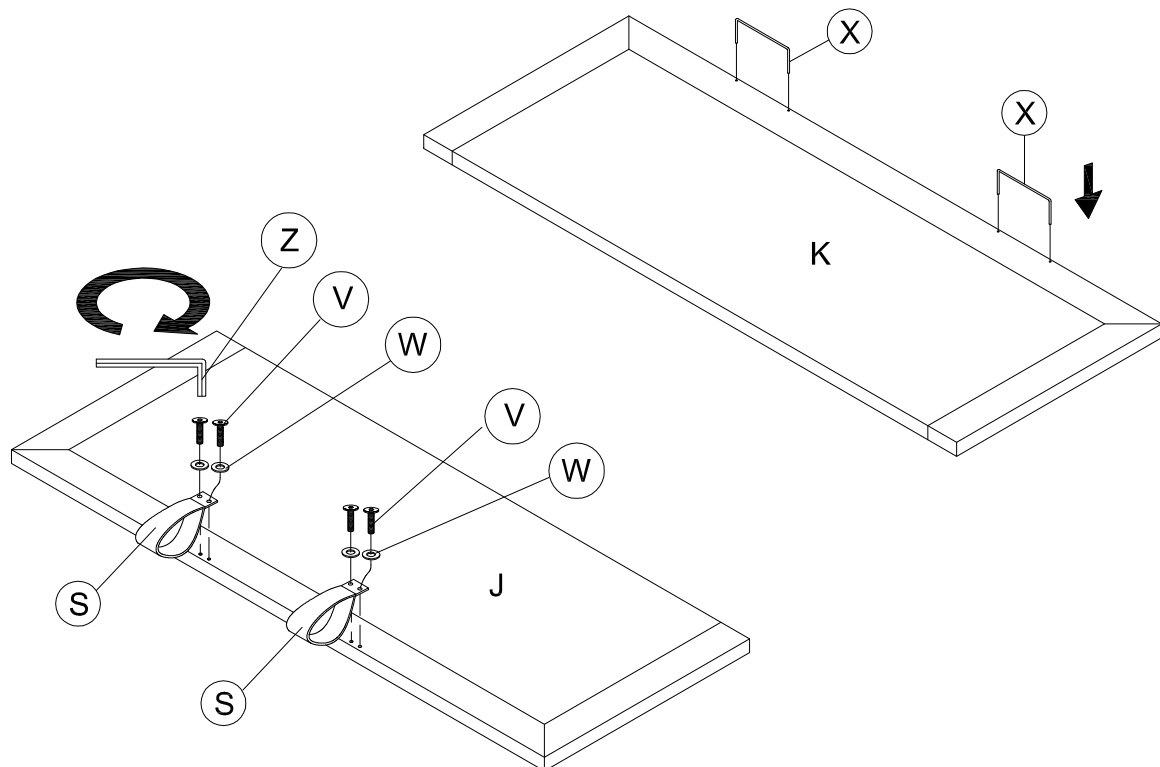
Step 16

- Take out the all the screw and washer from lift base (J) as shown.
- For lift base (K), the last screw should be extend out 10mm as shown. The rest of screws & washers need to take out.



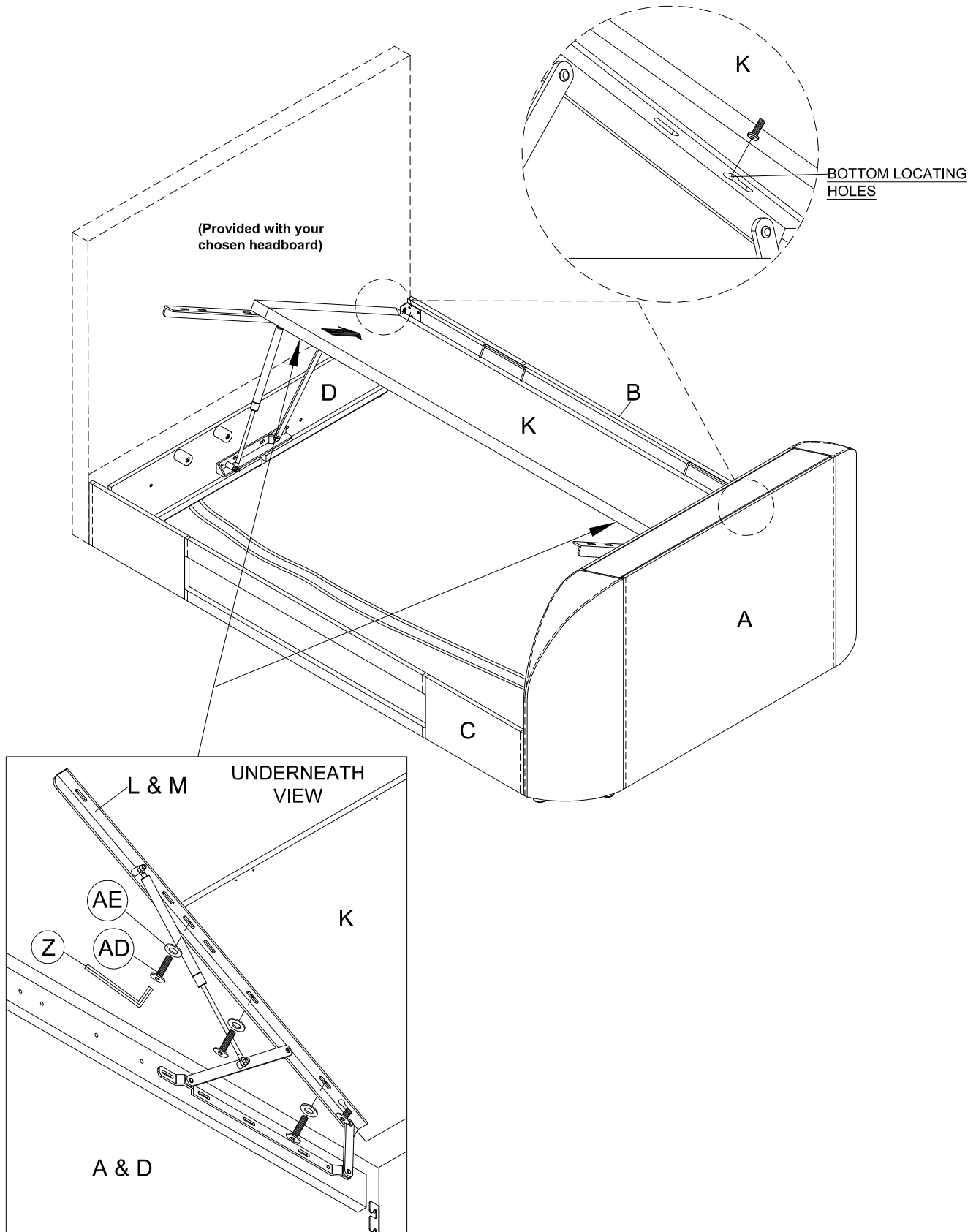
Step 17

- Attach the handle to lift base (K) with screw (V) and washer (W).
- Attach the mattress stopper (X) to lift base (K).



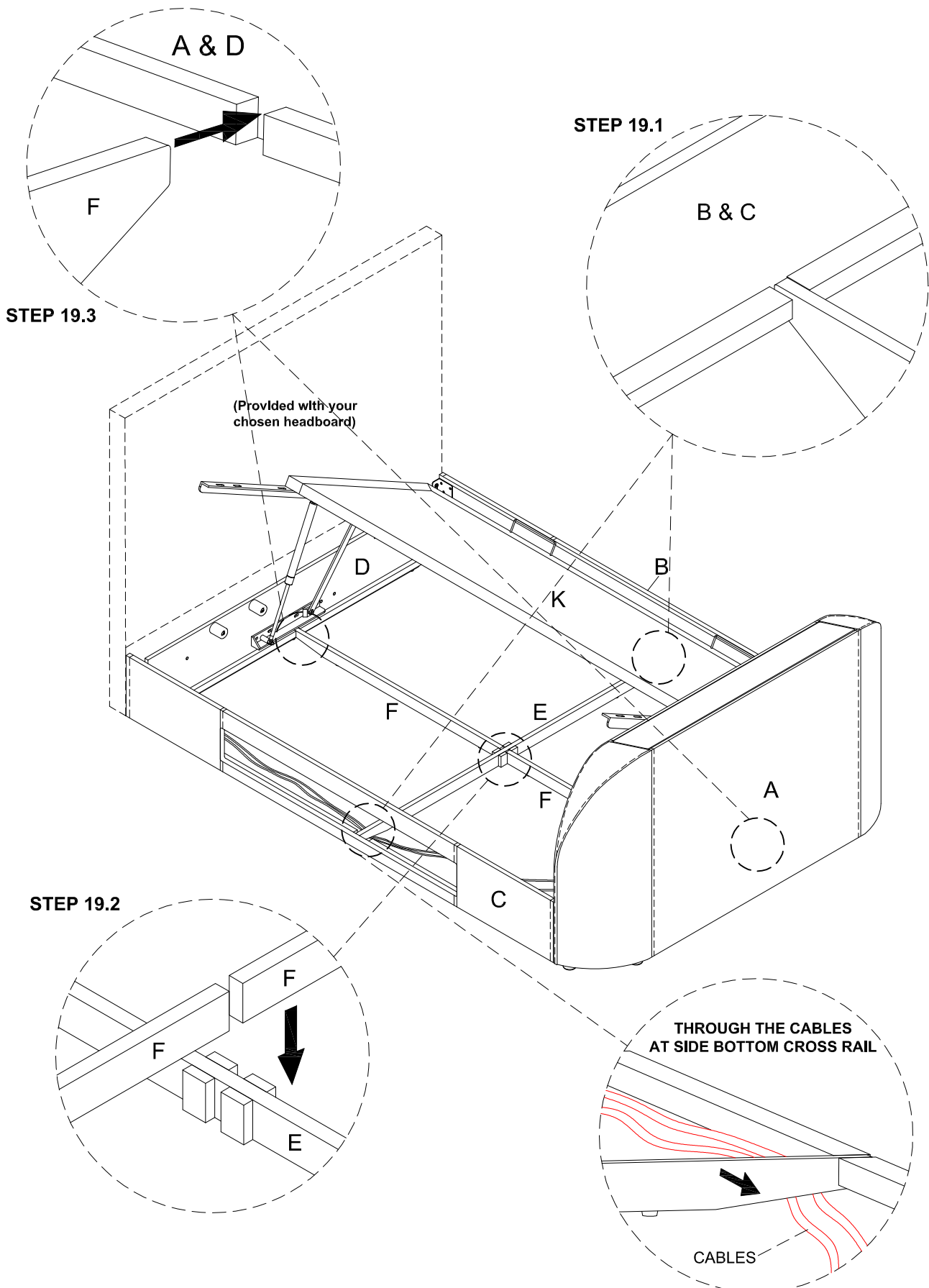
Step 18

- First put the back lift base 'K' on top of lift up mechanism 'L' and 'M' with the provided Screws (AD) pre-installed as per step 16 to the first hole for safety and to prevent the lift base from dropping down.
- Use the removed bolts and flat washers on step 16 to fix the back lift base 'K' with lift up mechanism 'L' and 'M' as shown.
- Use Allen key 'Z' fully tighten all the bolts as shown.



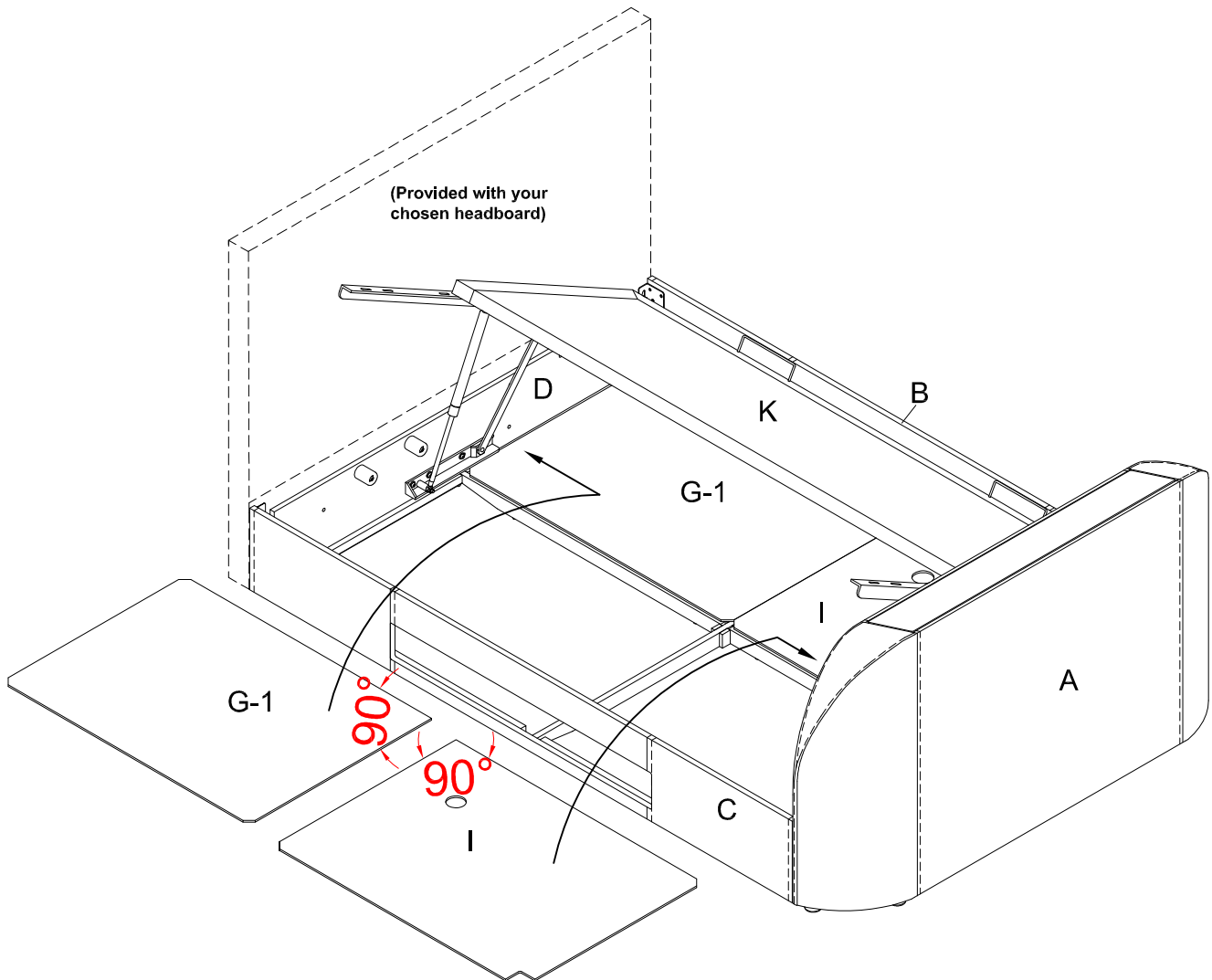
Step 19

- Attach the bottom cross rail (long) (E) & bottom cross rail (short) (F) to the headboard, footboard and side rail as shown. Being carefull not to catch the fabric.
- Attach the bottom cross rail (long) (E) to the side rail (B & C) and the bottom cross rail (short) X2 pcs (F) to the head end panel (D) and footboard (A) as shown (STEP 19.1),(STEP 19.2) & (STEP 19.3).

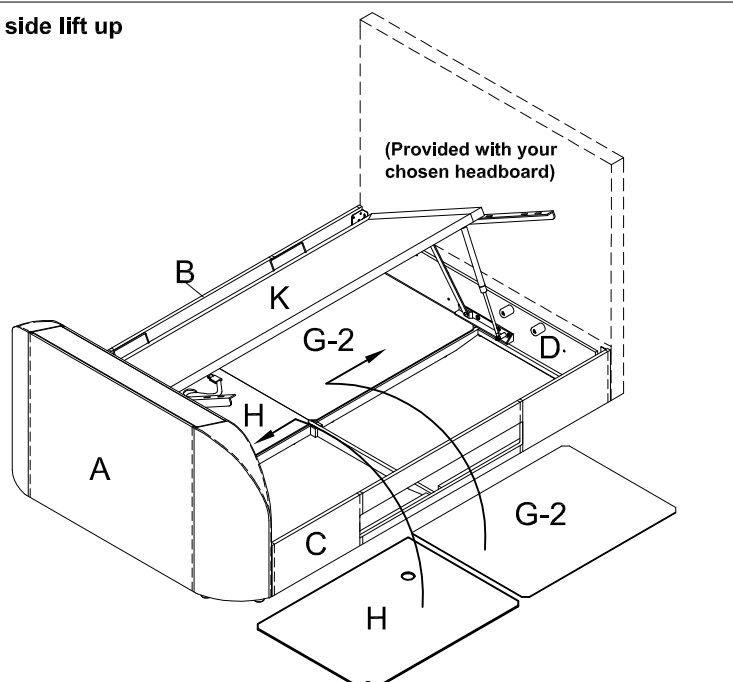


Step 20

- Place the base panel (G-1) & (I) on top of the bottom cross rail.
- Put the base panel (I) to the foot end as shown.
- Make sure the base panel with 90 degree angle was placed next to the side rail 'B'.
- Then carefully slide the base panel to fit the location.
- Diagram show the bed opening in left side.

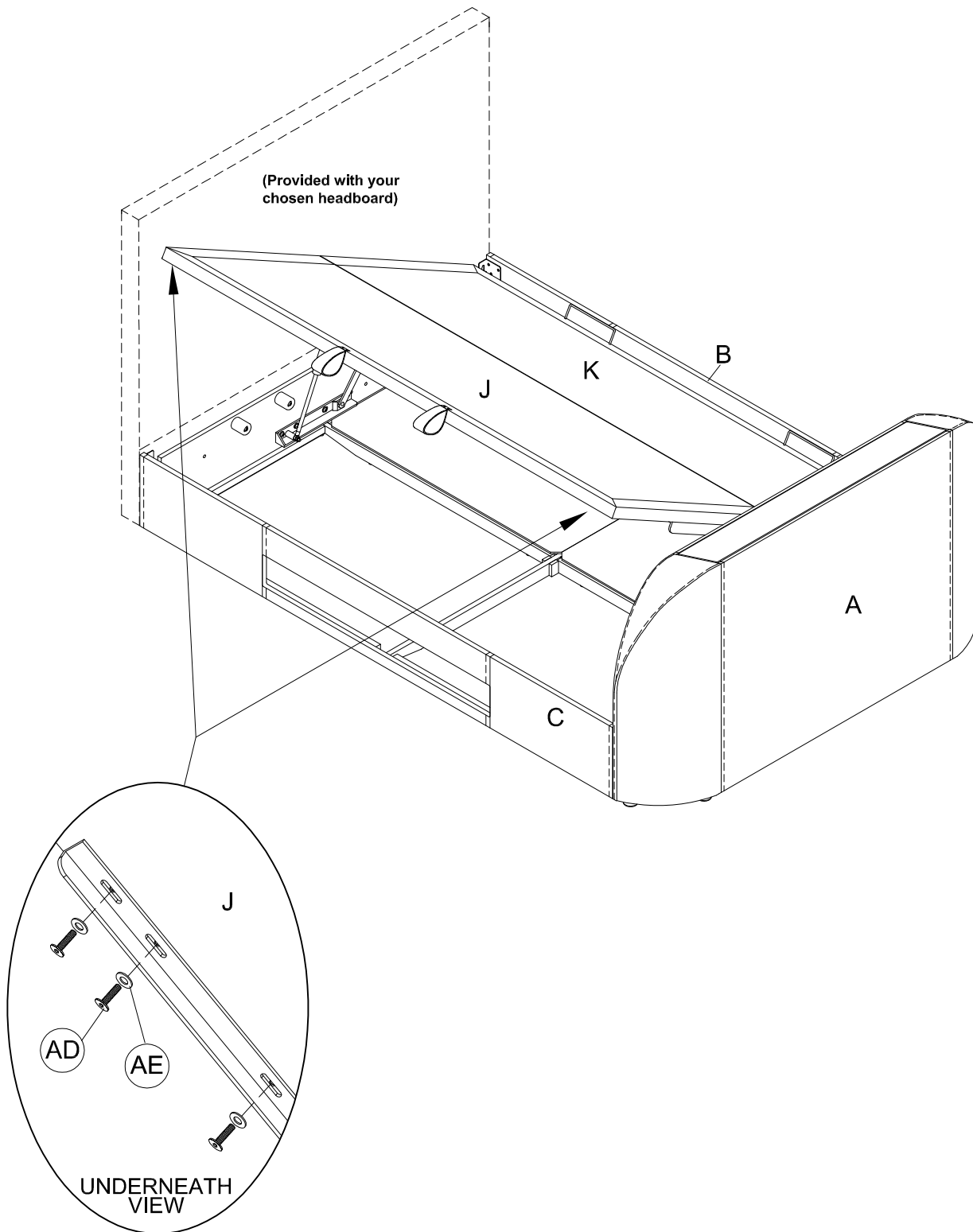


- **Optional-Right side lift up**



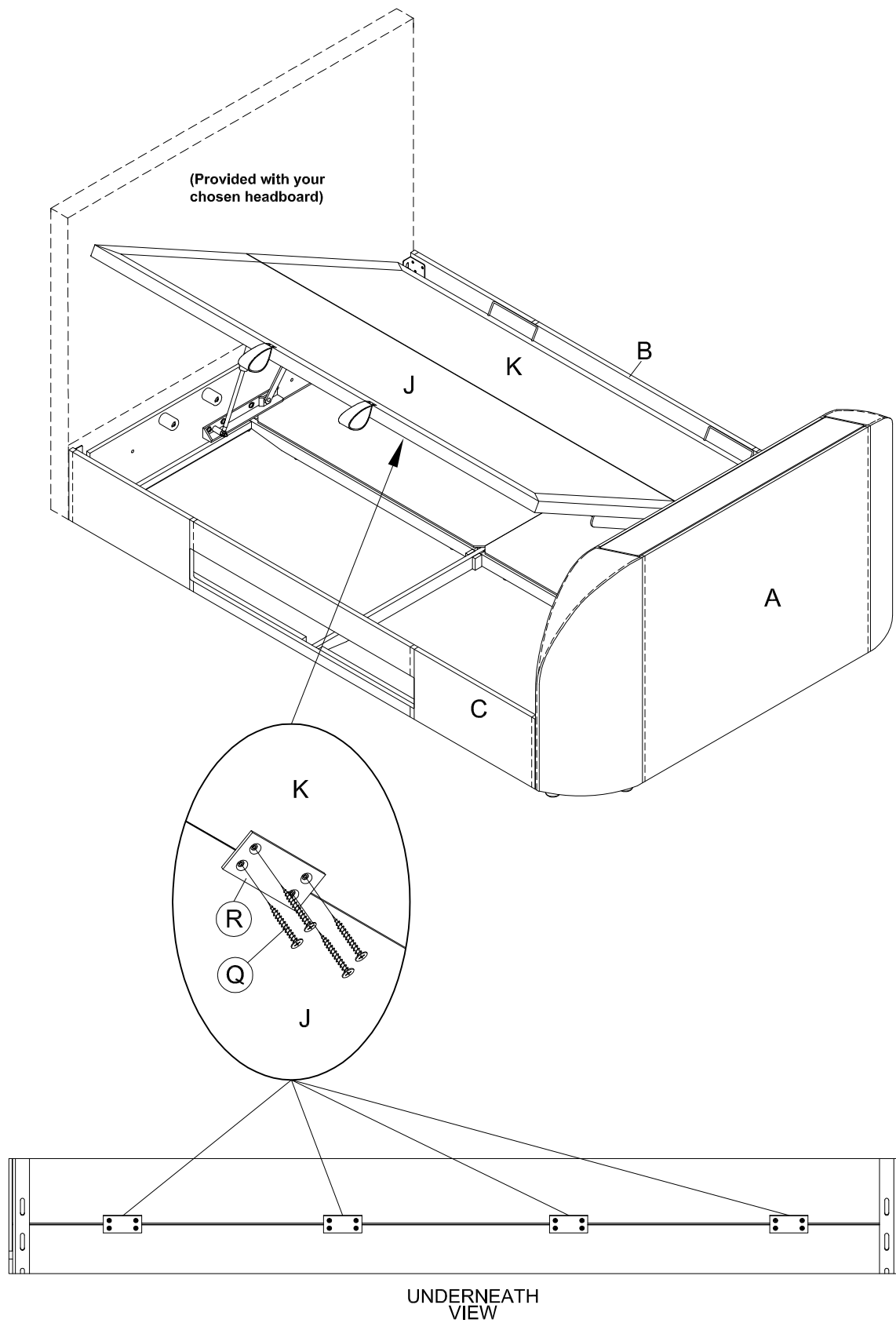
Step 21

- Attach the lift base (J) on lift up mechanism using screw and washer as shown.



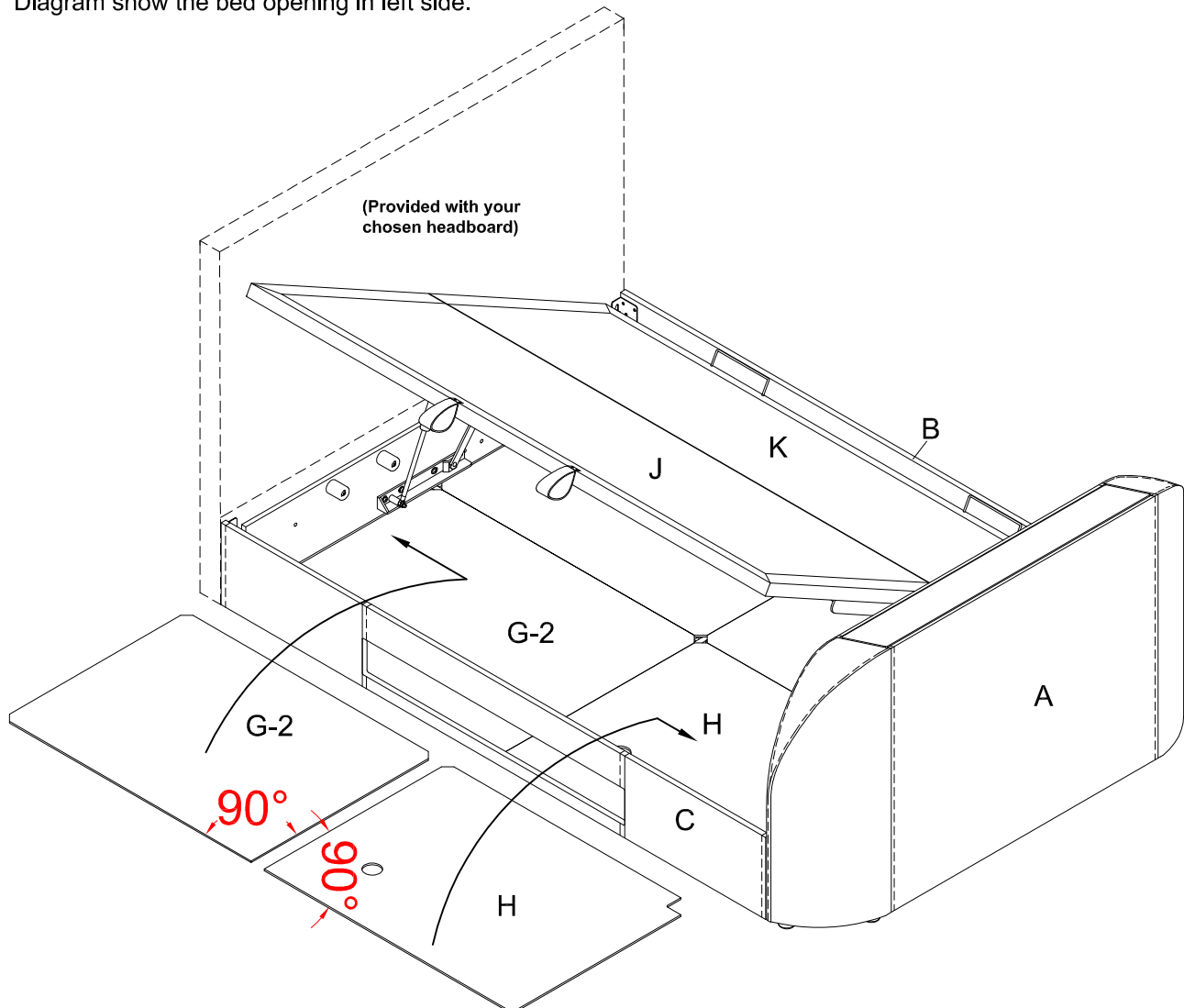
Step 22

- Attach the metal plate (R) to the bottom of lift base (J) & (K) with screw (Q) as shown.

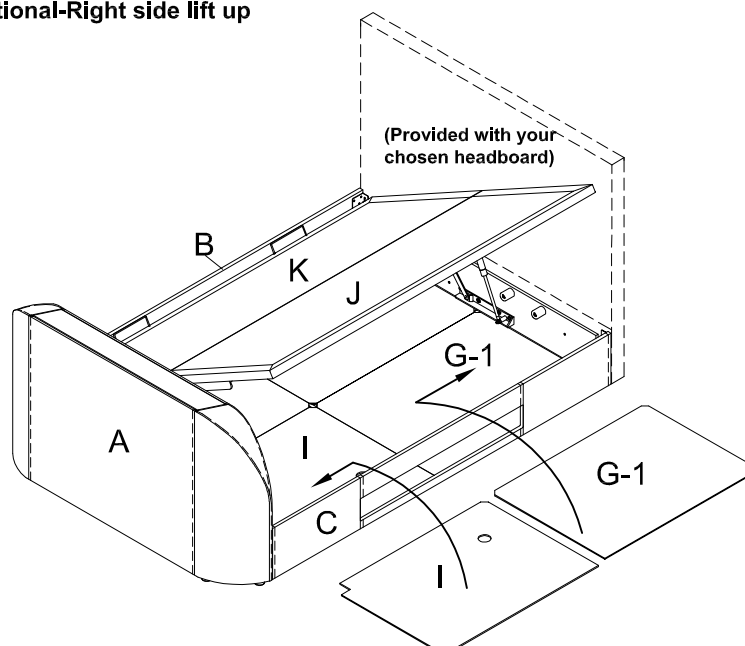


Step 23

- Place the base panel (G-2) & (H) on top of the bottom cross rail.
- Put the base panel (H) to the foot end as shown.
- Make sure the base panel with 90 degree angle was placed next to the side rail 'C'.
- Then carefully slide the base panel to fit the location.
- Diagram show the bed opening in left side.

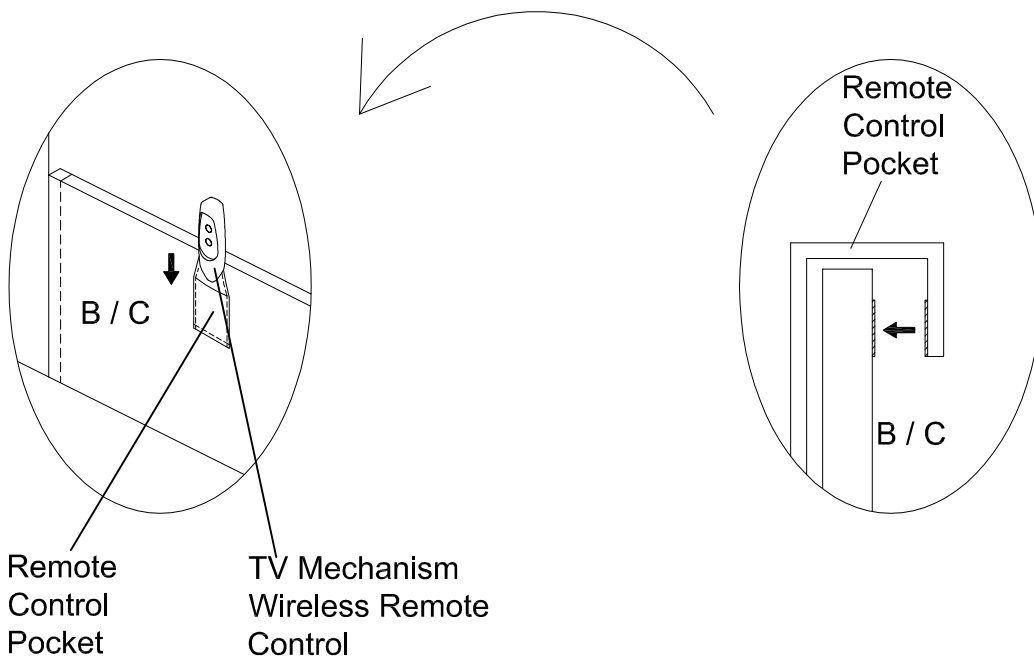
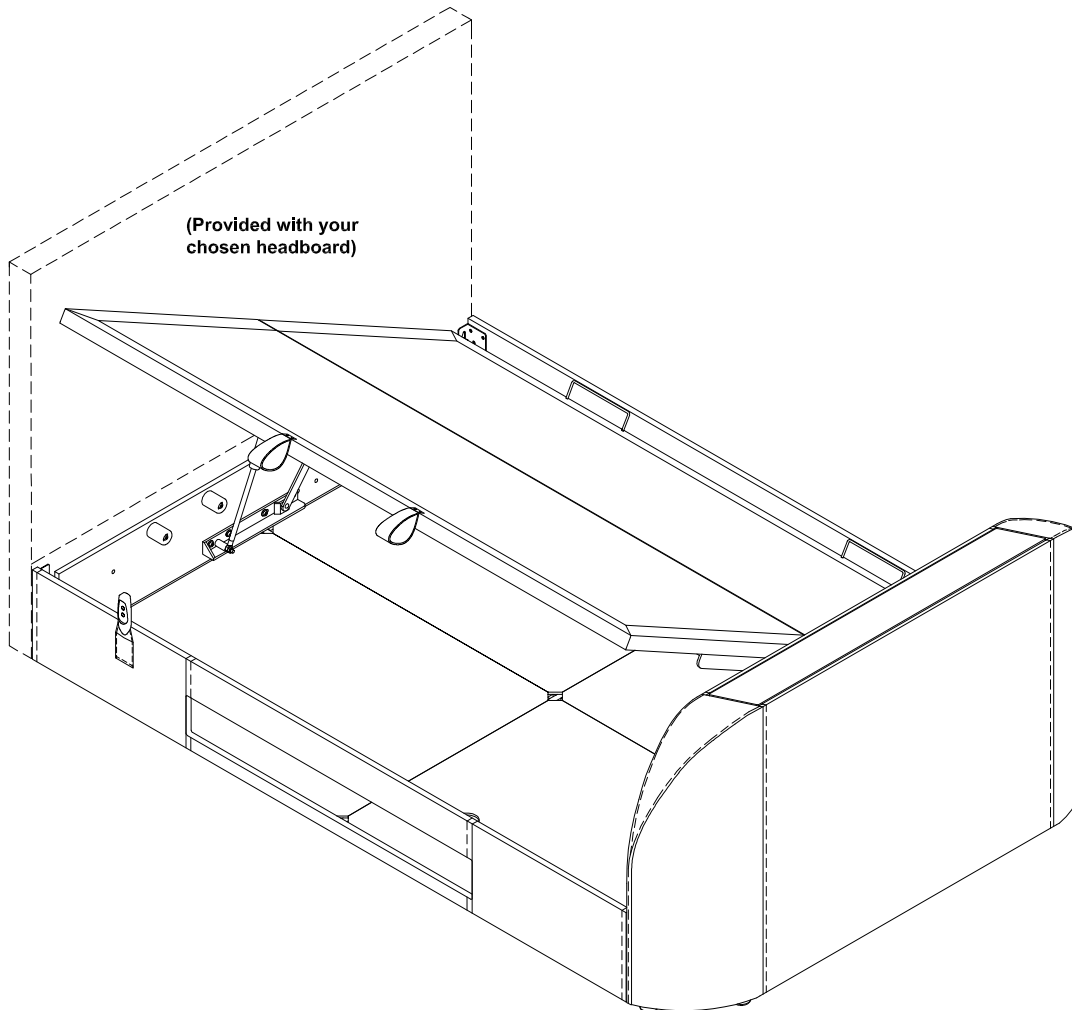


• Optional-Right side lift up



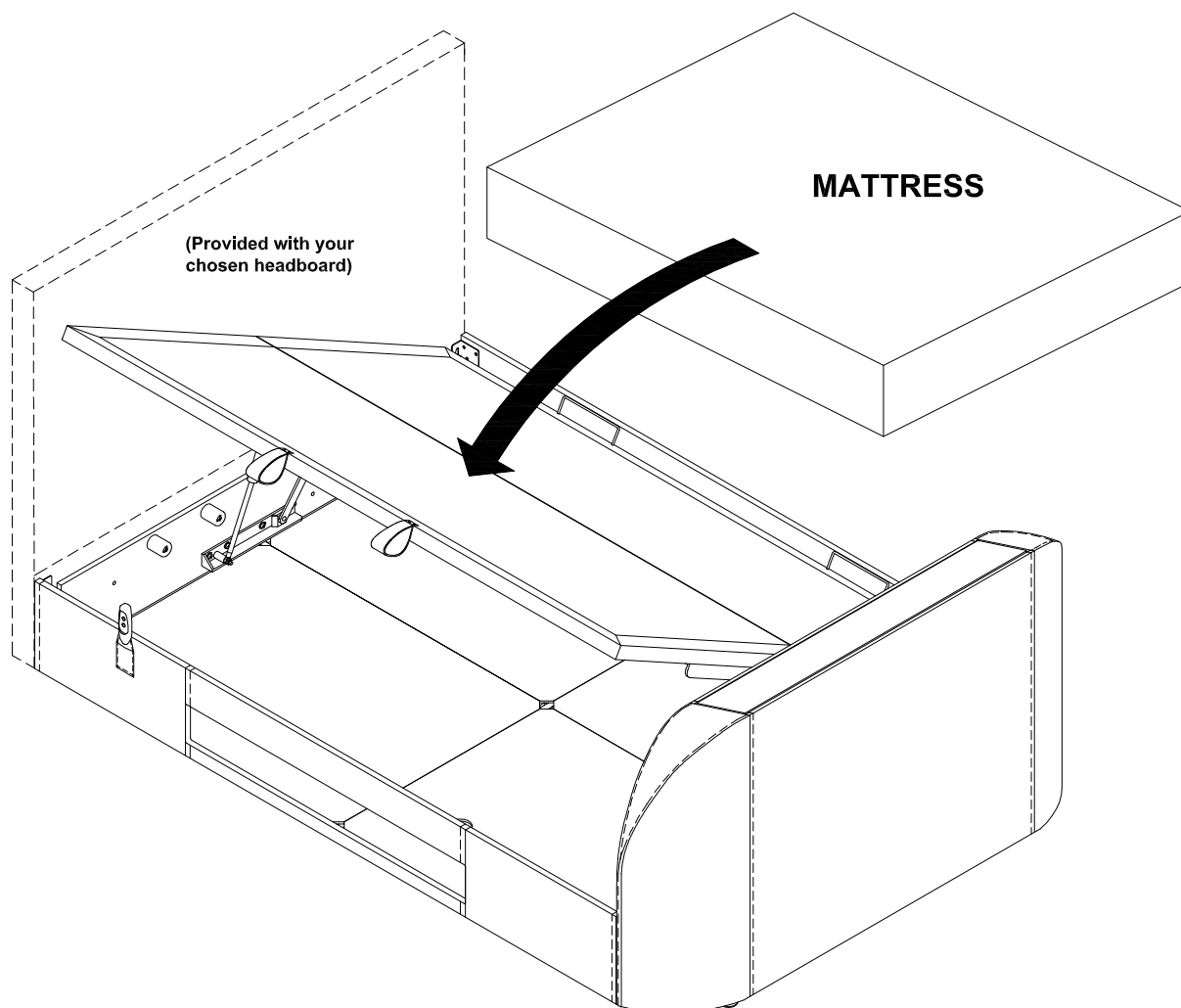
Step 24

- Attach the remote control pocket to the left or the right side rail as preferred.



Step 25

- Attach the mattress before operating the lift base.



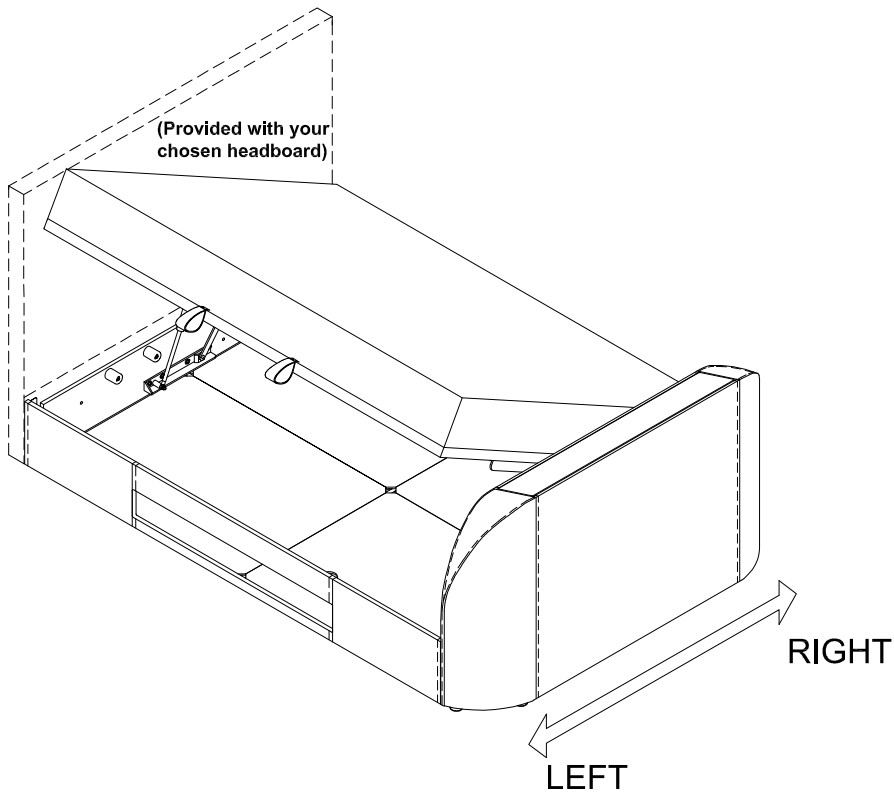
- A. This Lift Mechanism provides assistance with the lift of the mattress fitted to the base - it does not lift the mattress for you. The system has been designed to effectively lift the base system fitted with a variety of mattress weights and combinations of depth. The combination of mattress weight and depth determines the degree of assistance provided by the mechanism.
- B. Following installation of the mechanism lift / pull the base up and down a few times to free off the system - the gas cylinders fitted to the system may be stiff when first used or if the system has not been operated for a period of time. The mattress must be fitted to the base.
- C. Use the strap handle to lift up the mattress base using two hands - Pull the mattress base down using two hands equally spaced from the centre of the mattress base. **DO NOT** pull down on one side of the base only as this is likely to damage the base system with potential failure of the mattress base system and lift mechanism. **Do not operate the lift up mechanism without the mattress fitted to the base.**

CAUTION :

- Do not allow children to operate the lift Mechanism.
- Do not allow children near the lift base when operating the Mechanism.
- Do not allow children in the area of the internal storage base.
- Keep hands clear of the mechanism when operating the base system.
- Do not stand inside the bed / on the internal storage base.
- Do not overload the internal storage base.

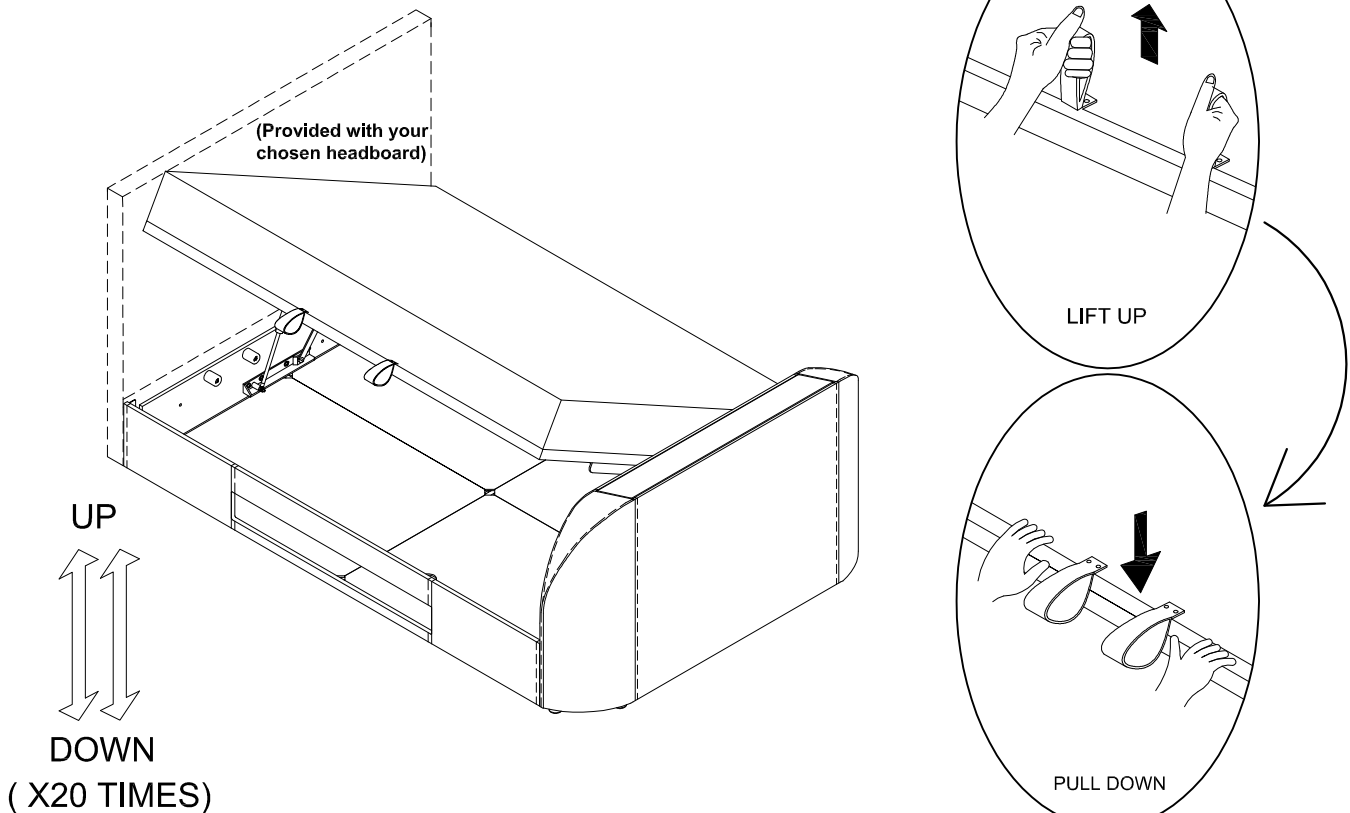
Step 26

- Make sure the bed frame 4 side angles are at 90 degrees before you closing the lift base.

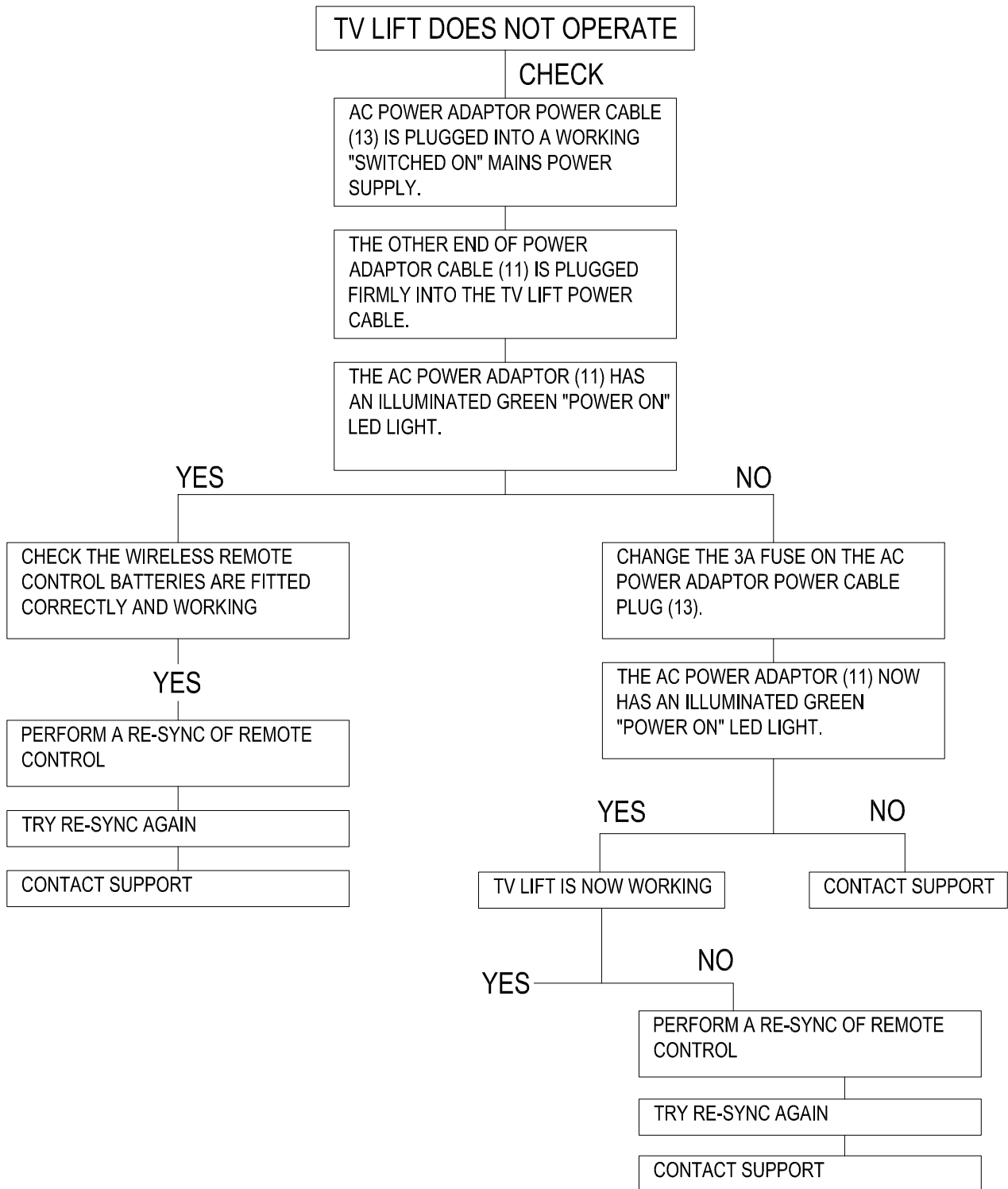


Step 27

- The mattress must be fitted on the lift base. (Do not operate the lift up mechanism without the mattress fitted on the lift base.)
- Lift the frame with the mattress, up and down at least 20 times before use.



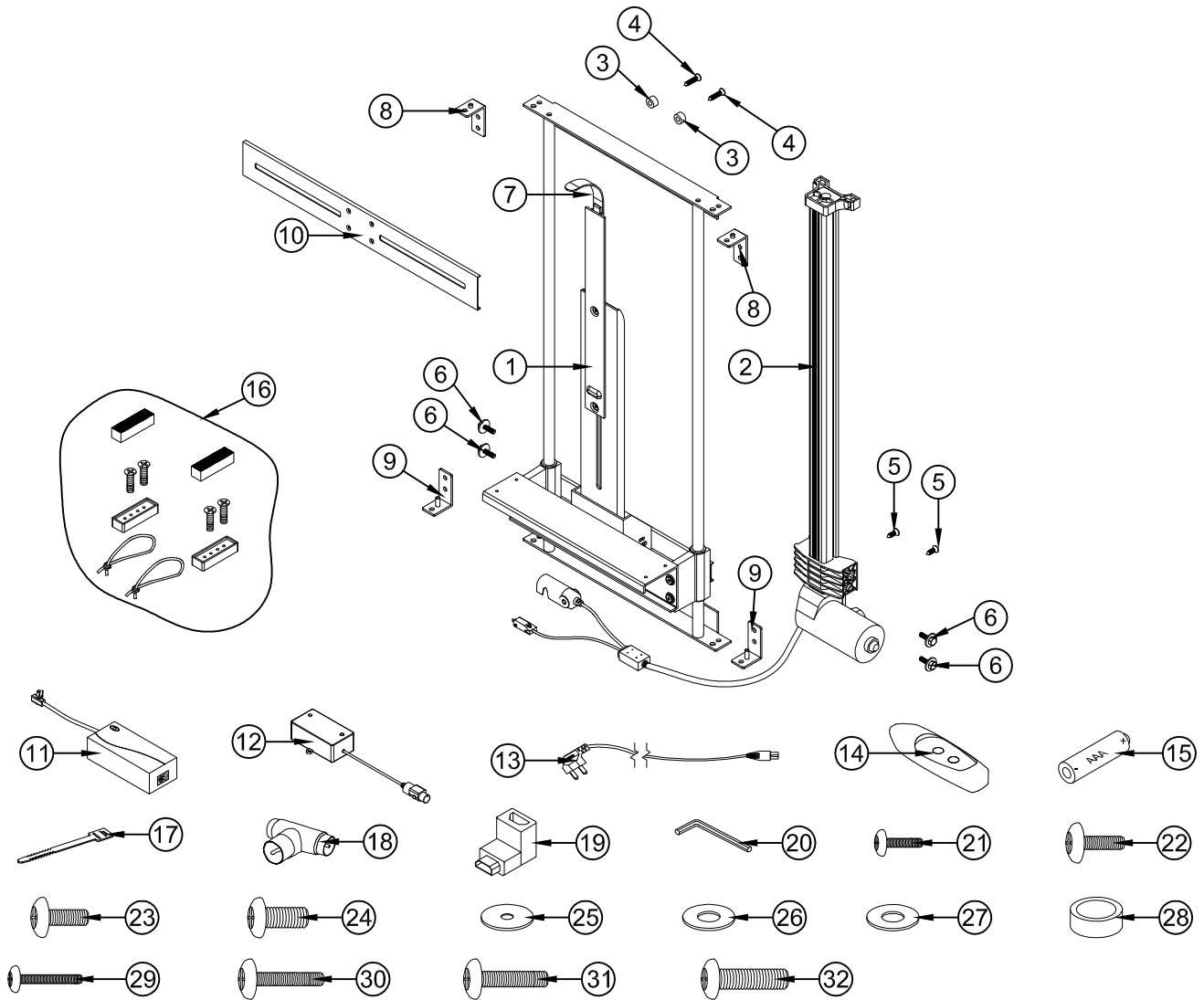
TROUBLE SHOOTING



SPECIFICATION-TV MECHANISM

FEATURE	Wireless Remote Control-TV LIFT MECHANISM
INPUT	100V-240V~ 50/60Hz 1500mA
OUTPUT	29V --- 2A
DUTY CYCLE	MAX 10% ; MAX 2 min / 18 min
BATTERY (WIRELESS REMOTE CONTROL)	Size: AAA - Ø10.5 X T44.5mm - Spec.: 1.5V

G4 TV LIFT MECHANISM- OPTI-SERVE SPARE PARTS LIST



ITEM NO.	PART DESCRIPTION	IV CODES
1	Main TV-lift up mechanism (pre- assemble)	
2	TV-linear actuator G4 (pre-fixed)	
3	Actuator mounting top spacer (2pcs) (pre-fixed)	IV001281
4	Cross recessed countersunk flat head wood screw- Top mounting M6 x 30mm (2pcs) (pre-fixed)	IV001282
5	Cross recessed countersunk flat head wood screw- Top mounting M6 x 20mm (2pcs) (pre-fixed)	
6	Actuator mounting bolt- screw M6 x 20mm (4pcs) (pre-fixed)	
7	Gooseneck (pre-fixed)	IV001289
8	Top hanging bracket (2pcs) (pre-fixed)	
9	Bottom hanging bracket (2pcs) (pre-fixed)	IV001636
10	TV- flat bracket (Vesa Bracket) (pre-fixed)	IV001290
11	TV-lift up mechanism AC/ DC adapter	IV001291
12	TV lift-up mechanism control box (pre-fixed)	IV001293
13	TV-lift up mechanism AC/ power-cable power plug UK	IV001295
14	Wireless remote control	IV001302
15	Battery (2pcs)	IV000991
16	TV block (2pcs), screw M4 x 35mm (4pcs), block rubber cover (2pcs), cable management bungee cable (2pcs) (pre-fixed)	IV001635
17	Cable clip (2pcs)-use to fix wire	
18	Aerial connection (1pc)	
19	90 degree HDMI adaptor (1pc)	
20	Allen key (M4) (1pc)	
21	Pan head screw M4 x 20mm (2pcs)	
22	Pan head screw M5 x 20mm (2pcs)	
23	Pan head screw M6 x 20mm (2pcs)	
24	Pan head screw M8 x 20mm (2pcs)	IV001634
25	M5 washer (2pcs)	
26	M6 washer (2pcs)	
27	M8 washer (2pcs)	
28	Plastic collar (6pcs)	
29	Pan head screw M4 x 40mm (2pcs)	
30	Pan head screw M5 x 40mm (2pcs)	
31	Pan head screw M6 x 40mm (2pcs)	
32	Pan head screw M8 x 40mm (2pcs)	

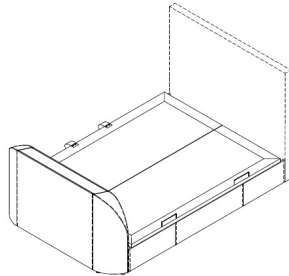


UKCA/EU DECLARATION OF COMFORMITY & INCORPORATION

Product ID: UKD-BD002846 / 47, UKQ-BD002848 / 49, UKK-BD002850 / 51
Description: SL ULTRA-1 MULTI UNI TV BED-MK3-STV-D5
Model: MK3-STV-D1 (4FT6, 5FT & 6FT)
Manufacturers: BSSB LEATHER AND FABRIC BEDS SDN BHD
LOT, 728, JALAN KU 6, TAMAN KLANG UTAMA 42100, KLANG SELANGOR, MALAYSIA

(Authorized representative): KAYDIAN DESIGN LIMITED
REDBURN HOUSE, REDBURN ROAD, WESTERHOPE, NEWCASTLE UPON TYNE, NE5 1NB TEL:
+44(0)1912712118

Customer: KAYDIAN DESIGN LIMITED
Bed Model: 5 BOX M/U TV OTTOMAN BED
Product Image:



This declaration is issued under the sole responsibility of the manufacturer. We hereby certify that the product stipulated above complies with all the relevant provisions of the following EU/UKCA new approach directive/s:

- Electromagnetic Compatibility (EMC) 2014/30/EU
- Low Voltage Directive (LVD) 2014/35/EU
- Radio Equipment (RED) 2014/53/EU
- Restriction of Hazardous Substances (RoHS) 2011/65/EU
- Machinery Directive (MD) 2006/42/EC

Conformity is shown by compliance with the applicable requirements of the following **harmonized standards**:

Applicable Harmonized Standards <i>(Standard reference, date and amendments)</i>	Title <i>(The title/description of the harmonized standard)</i>
ETSI EN 300 440 V2.1.1 (2017-03)	2.4 GHz Short Range Device (SRD)
ETSI EN 301 440 V2.2.2 (2019-09)	2.4 GHz Short Range Device (SRD)
EN 62479:2010	10Mhz-300GHz

RED: Where applicable, include description of accessories and components, including software, which allow the radio equipment to operate as intended and covered by the EU/UKCA declaration of conformity

Signed for and on behalf of: BSSB LEADTHER AND FABRIC BEDS SDN BHD
Name: MIKE LIM
Position: INNOVATION QUALITY MANAGER
Signature:

