

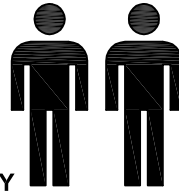
DESCRIPTION: HARTLEY OTTOMAN 5FT BED



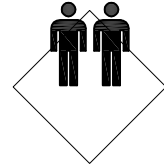
1.5 Hr

APPROXIMATE ASSEMBLY TIME

2 PERSON ASSEMBLY



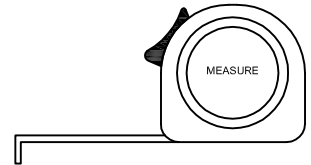
FLOOR AREA
2.5M X 2.5M



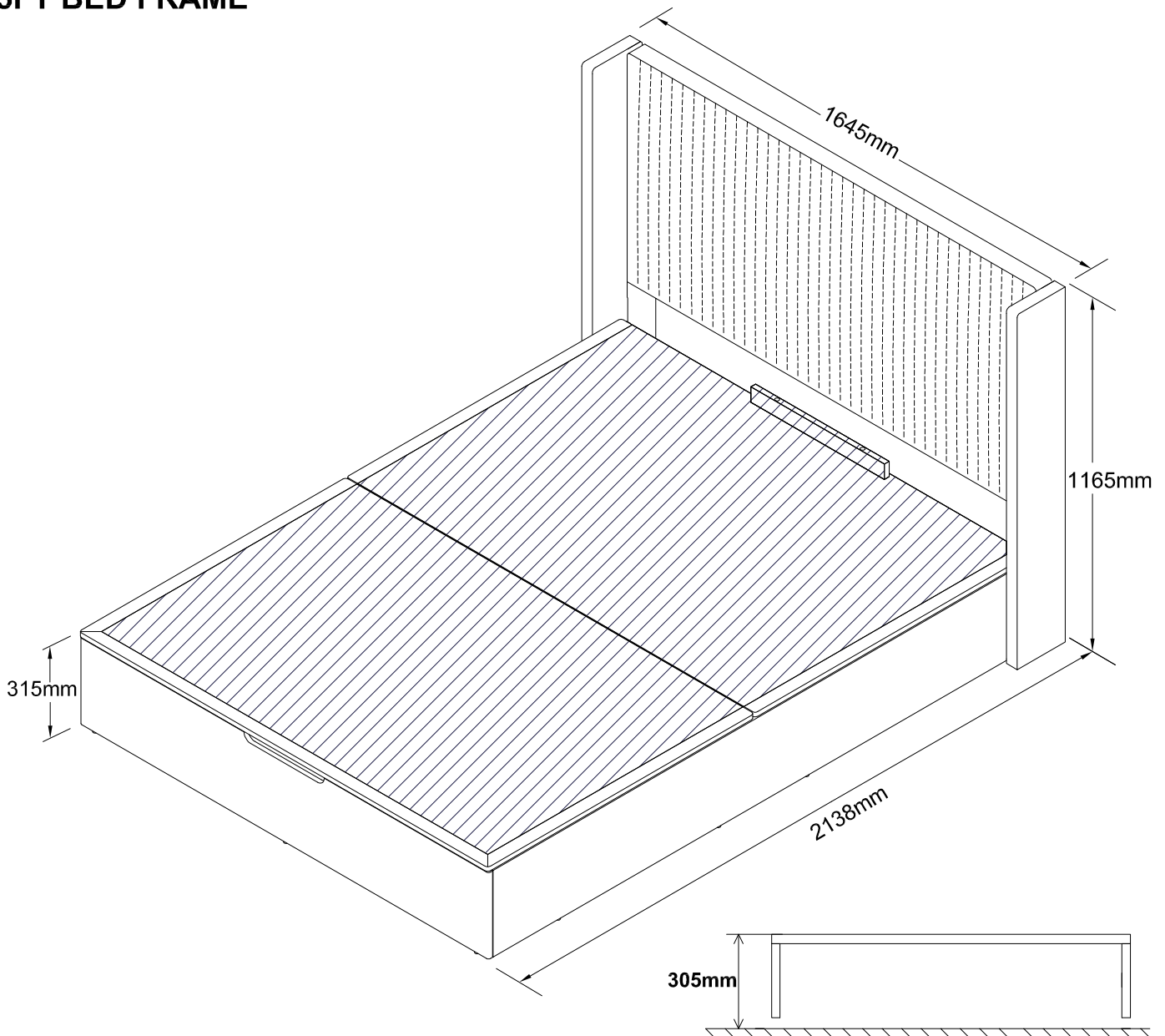
CEILING HEIGHT
2.5M

REQUIRED ASSEMBLY SPACE

REQUIRED ASSEMBLY TOOLS



ASSEMBLED DIMENSIONS 5FT BED FRAME

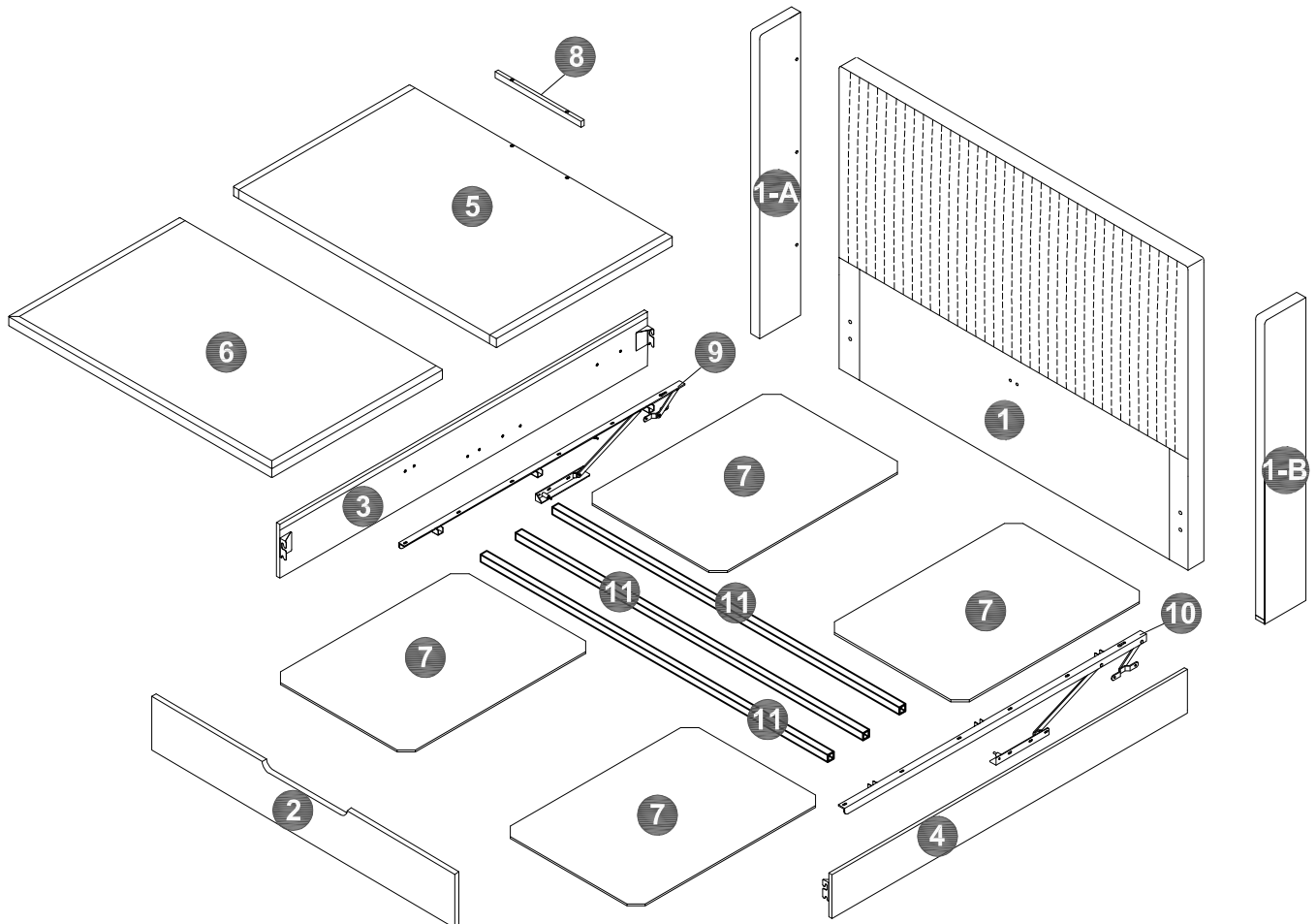


Top base for mattress = 1530mm x 2000mm
Mattress weight = Min. 30kg ~ Max. 65kg

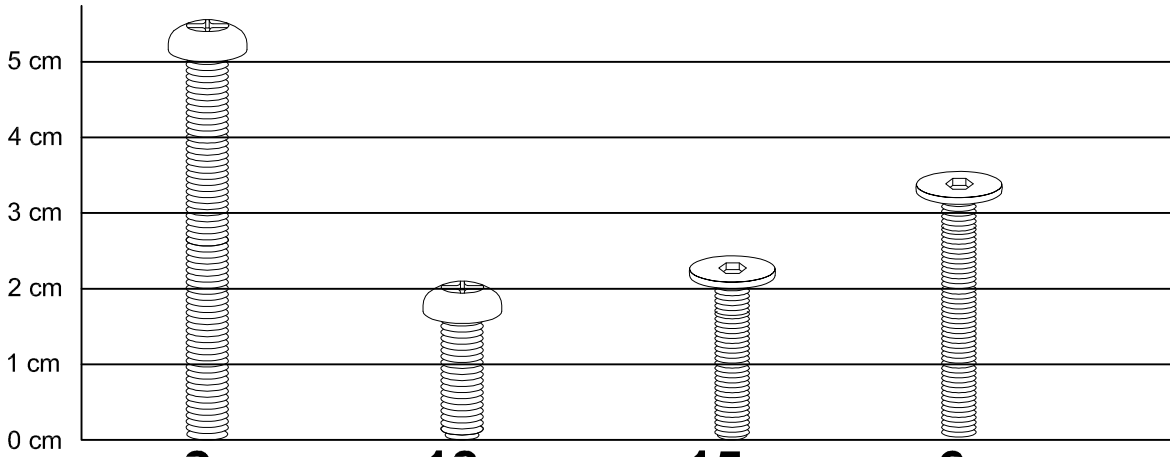
PARTS LIST

NO.	PART LISTS	QTY
1	HEADBOARD	3
2	FOOTBOARD	1
3	SIDE RAIL (L)	1
4	SIDE RAIL (R)	1
5	FRONT LIFT BASE	1
6	BACK LIFT BASE	1
7	BASE PANEL	4
8	MATTRESS SUPPORT RAIL	1
9	LIFT UP MECHANISM (LEFT)	1
10	LIFT UP MECHANISM (RIGHT)	1
11	CROSS RAIL	3

CARTON 1 CONSISTS OF PART : 1,2,7
 CARTON 2 CONSISTS OF PART : 3,4,8, HARDWARE
 CARTON 3 CONSISTS OF PART : 5,6
 CARTON 4 CONSISTS OF PART : 9,10,11



HARDWARE LIST

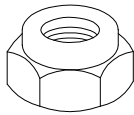


2x
M8 X 50mm
A
BOLT

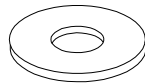
18x
M8 X 20mm
B
BOLT

15x
M6 X 20mm
C
BOLT

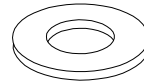
6x
M8 X 50mm
D
BOLT



4x
M8 X 13mm
E
LOCK NUT



10x
M6 X 16mm
F
FLAT
WASHER



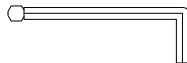
18x
M8 X 18mm
G
FLAT
WASHER



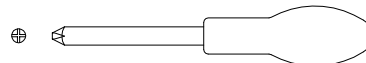
3x
H
L SUPPORT
BRACKET



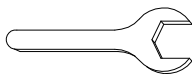
1x
I
ALLEN KEY
(M4)



1x
J
ALLEN KEY
(M5)



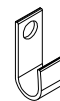
1x
K
SCREW DRIVER
(4" x 5mm)



1x
L
SPANNER
(13mm)



1x
M
OTTOMAN
SUPPORT BAR



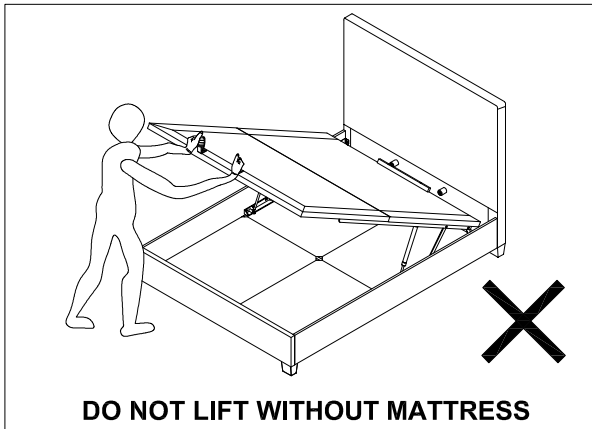
1x
N
PLASTIC HOOK



2x
564 x 1100N
O
GAS SPRING

IMPORTANT OTTOMAN SAFETY WARNINGS

- **IMPORTANT-READ CAREFULLY-RETAIN FOR FUTURE REFERENCE**
- You must ensure that the mattress is on the bed frame before operating the lift mechanism-Failure to do so could result in injury.



- Keep hands clear of the mechanism when opening or closing the ottoman.
- **Beware of entrapment - Never reach in through the Mechanism Arm to access the storage area.**
- Always ensure that the ottoman is FULLY opened before accessing the storage area.
- Use caution when operating, always use the handle when lifting.
- Ottoman Support Bar - Always engage the support bar when accessing storage area.
- Note: This bed uses a pressurised mechanism.
- To be operated by adults only.
- Please ensure that children and pets are kept away from the bed when operating the lift mechanism.
- Keep children and pets away from the storage area.
- Do not overload the internal storage base.
- Do not stand inside the internal storage area of the bed.
- Before removing the mattress secure the frame to ensure it does not open unexpectedly.
- Do not attempt to lie on the mattress when the ottoman is in the raised position.
- When lifting the ottoman remove all bedding except the fitted sheet.

Top Tips before you start!

1. Please check that all parts are present before you start the assembly of your furniture, as once assembled, the furniture is exempt from our home approval policy.
2. For ease and speed of assembly, we recommend that before you commence each step of the assembly, that you identify all the parts required for that step.
3. For larger items, please ensure that you have sufficient space and people (as indicated on page 1) to assemble your product safely.
4. We recommend that, where possible, all items are assembled near to the area in which they will be placed in use, to avoid moving the product unnecessarily once assembled.
5. For the protection of your furniture, particularly items of high gloss finish, we recommend that the product is placed on a protected surface during assembly to prevent any damage.
6. During assembly please take care not to over-tighten any fittings, as this may damage the product.
7. Please note: The bed base is in the upright position when first assembled as the gas lifts are fully extended during shipment for safety. After assembly a firm downward push will be required to overcome any resistance in the gas lifts as these may initially stick. We suggest placing a mattress on top of the bed base to aide this and also test the operation of your new lift up bed by lifting and pushing down the bed base a few times to allow the lifting mechanism to bed in.

Care and Maintenance of your Furniture

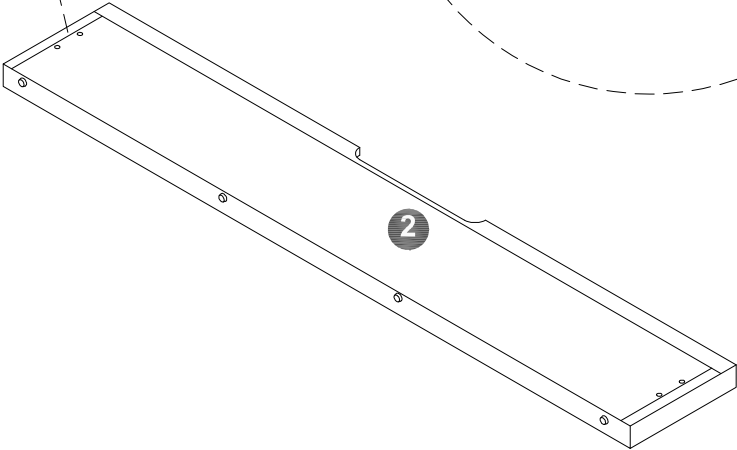
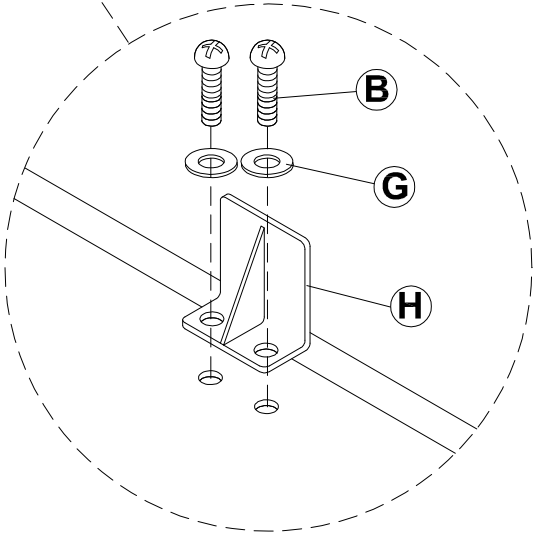
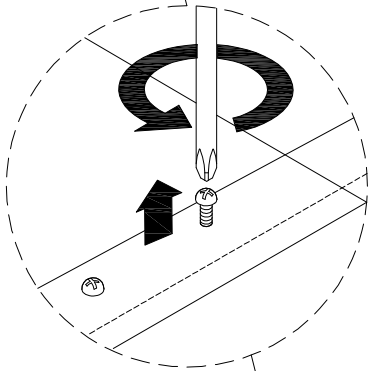
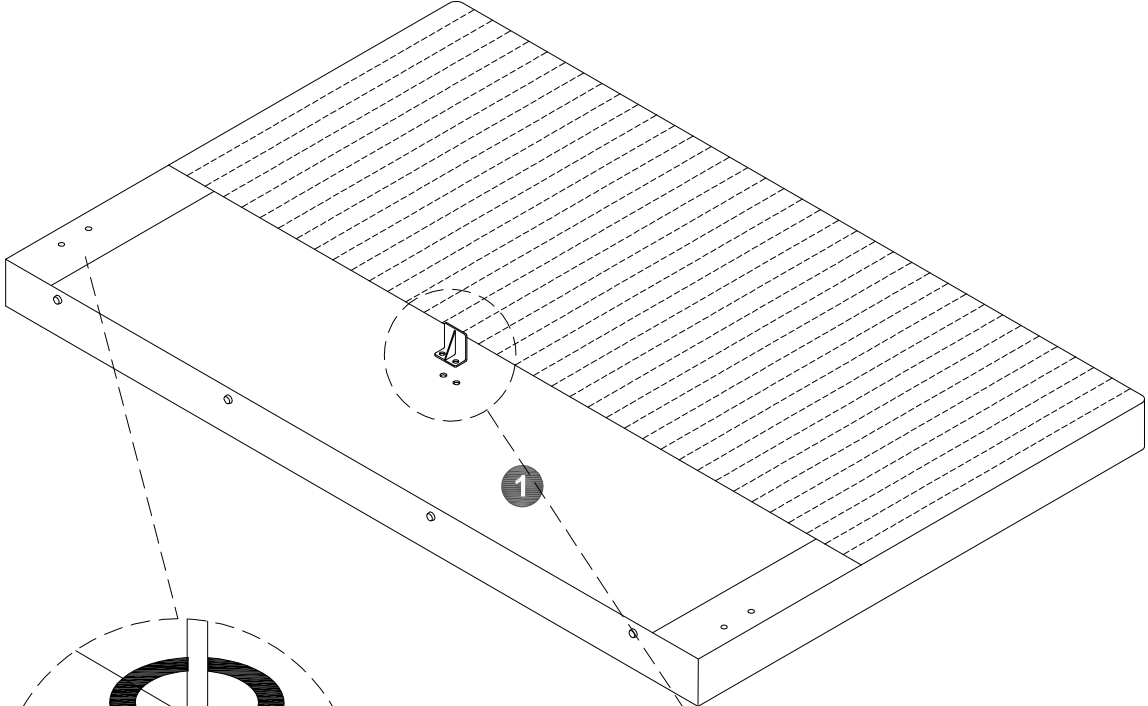
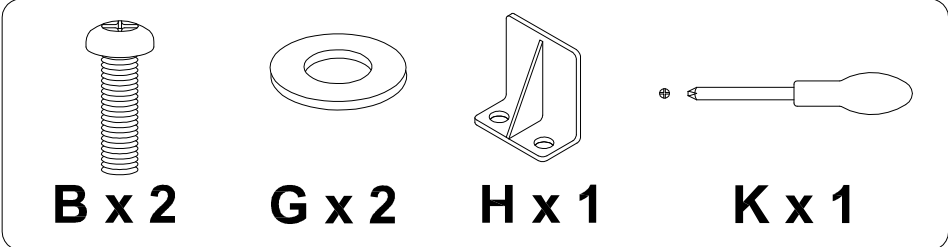
- Please periodically check all fittings and re-tighten as necessary.
- To clean your item, please use a damp cloth and wipe clean.
- Please do not jump on your furniture.
- Never allow any kind of liquid to remain on your furniture. Absorption can cause finishes to de-laminate.
- This is very important when moving your bed. It is best to lift the bed, and never to drag it.
- Please kindly take account of your floor covering when assembling a new bed! If the floor offers little resistance (such as wood or laminate) then it is recommended to use rug or similar be placed under each leg.

CARE INSTRUCTIONS FOR VELVET FABRIC

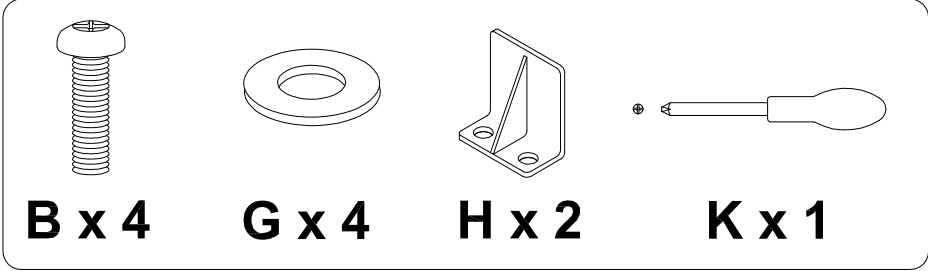
- If liquid has spilled onto the velvet, soak it up with a paper towel or cloth. Make sure there is no food or debris left on the material. Combine a small amount of dish soap and water in a bucket, mixing it until it becomes soapy. Soak the cloth in the soapy water and apply it gently to the stain. Use the soapy cloth to blot the stain until it disappears. It is important for the velvet fabric to dry quickly. Use a hair dryer on a luke warm setting to accelerate the drying process.
- Carefully apply the upholstery cleaner to velvet with soft sponge, leaving the velvet's pile undisturbed. After it is clean, be sure to vacuum and brush the velvet follow the grain always.
- A steam cleaner is perfect for removing stains, dirt and debris and disinfecting the velvet fabric without leaving any damage.
- If you have concerns regarding liquid/stain removal on your product, please consult a professional cleaning company.

DO NOT USE ANY POWER TOOLS AS THIS MAY DAMAGE THE FRAME AND WILL INVALIDATE ANY CLAIM

STEP 1

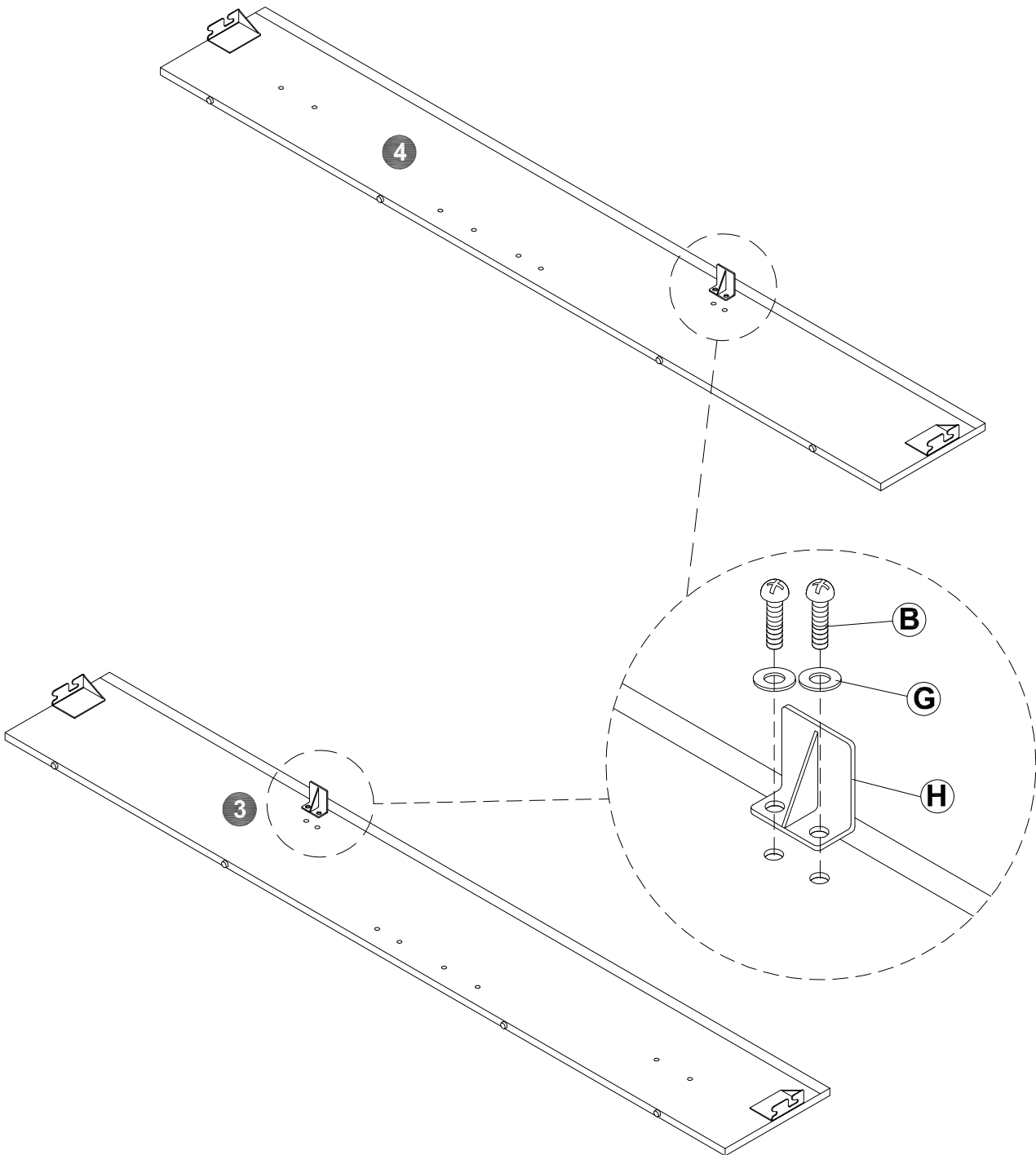


STEP 2

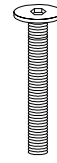


Parts list for Step 2:

- B x 4**: Four screws
- G x 4**: Four washers
- H x 2**: Two L-shaped brackets
- K x 1**: One screwdriver



STEP 3



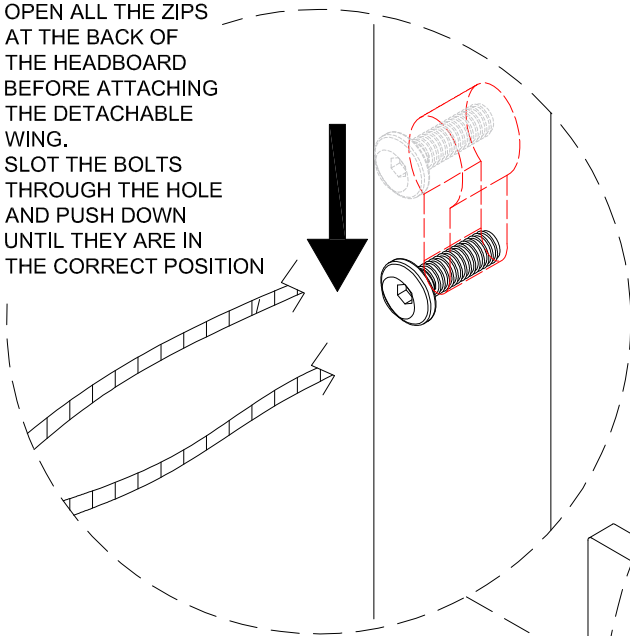
D x 6



J x 1

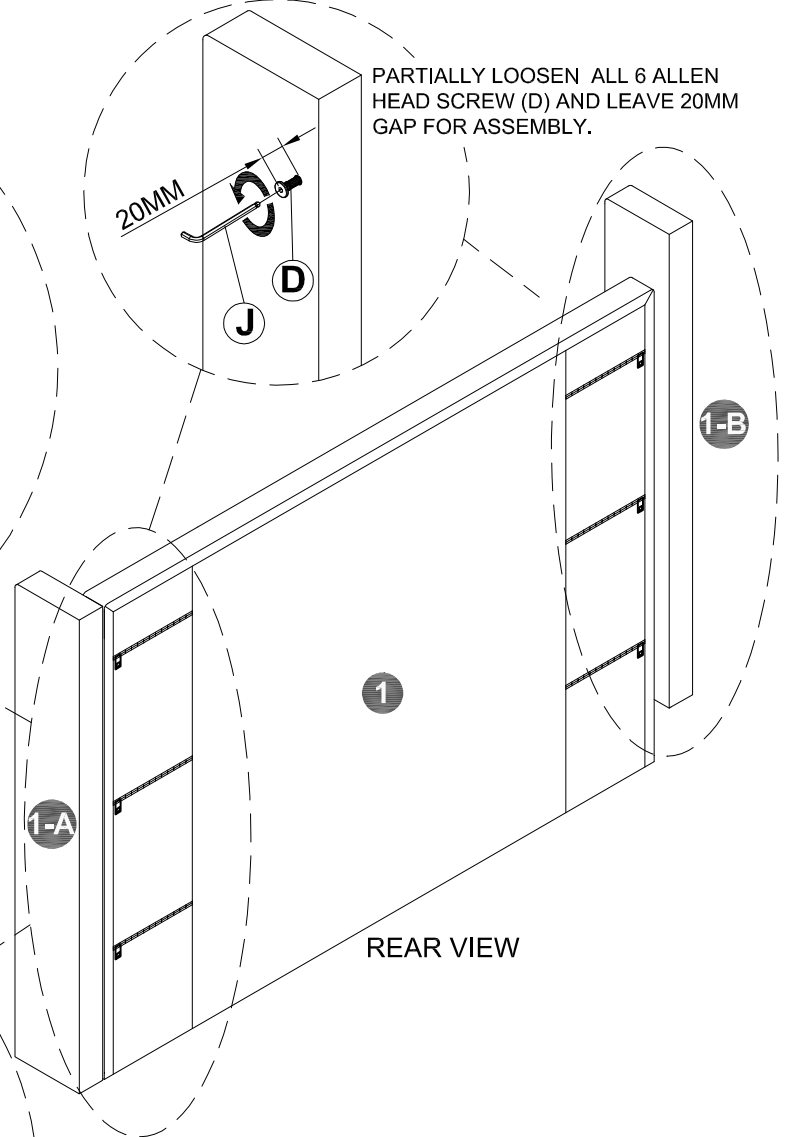
STEP 3-2

OPEN ALL THE ZIPS AT THE BACK OF THE HEADBOARD BEFORE ATTACHING THE DETACHABLE WING. SLOT THE BOLTS THROUGH THE HOLE AND PUSH DOWN UNTIL THEY ARE IN THE CORRECT POSITION



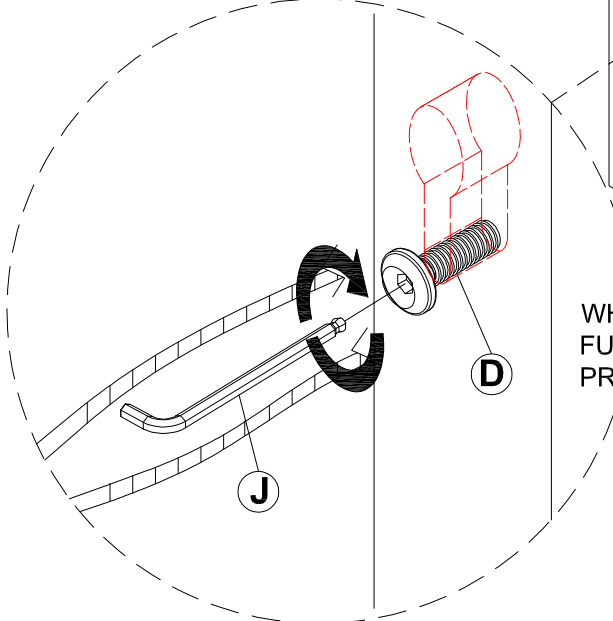
STEP 3-1

PARTIALLY LOOSEN ALL 6 ALLEN HEAD SCREW (D) AND LEAVE 20MM GAP FOR ASSEMBLY.



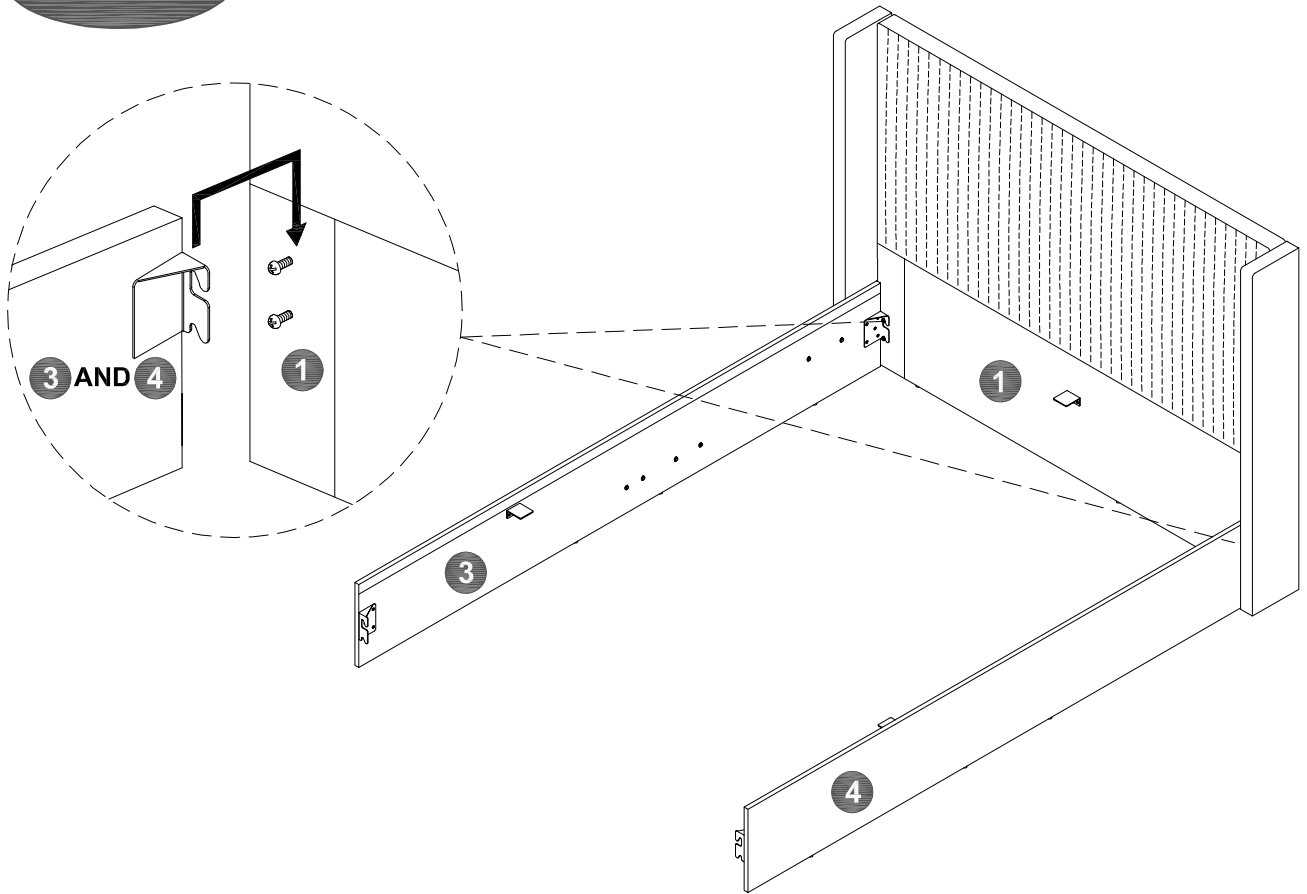
STEP 3-3

WHEN THE SCREWS ARE IN PLACE, FULLY TIGHTEN USING THE ALLEN KEY PROVIDED (J).

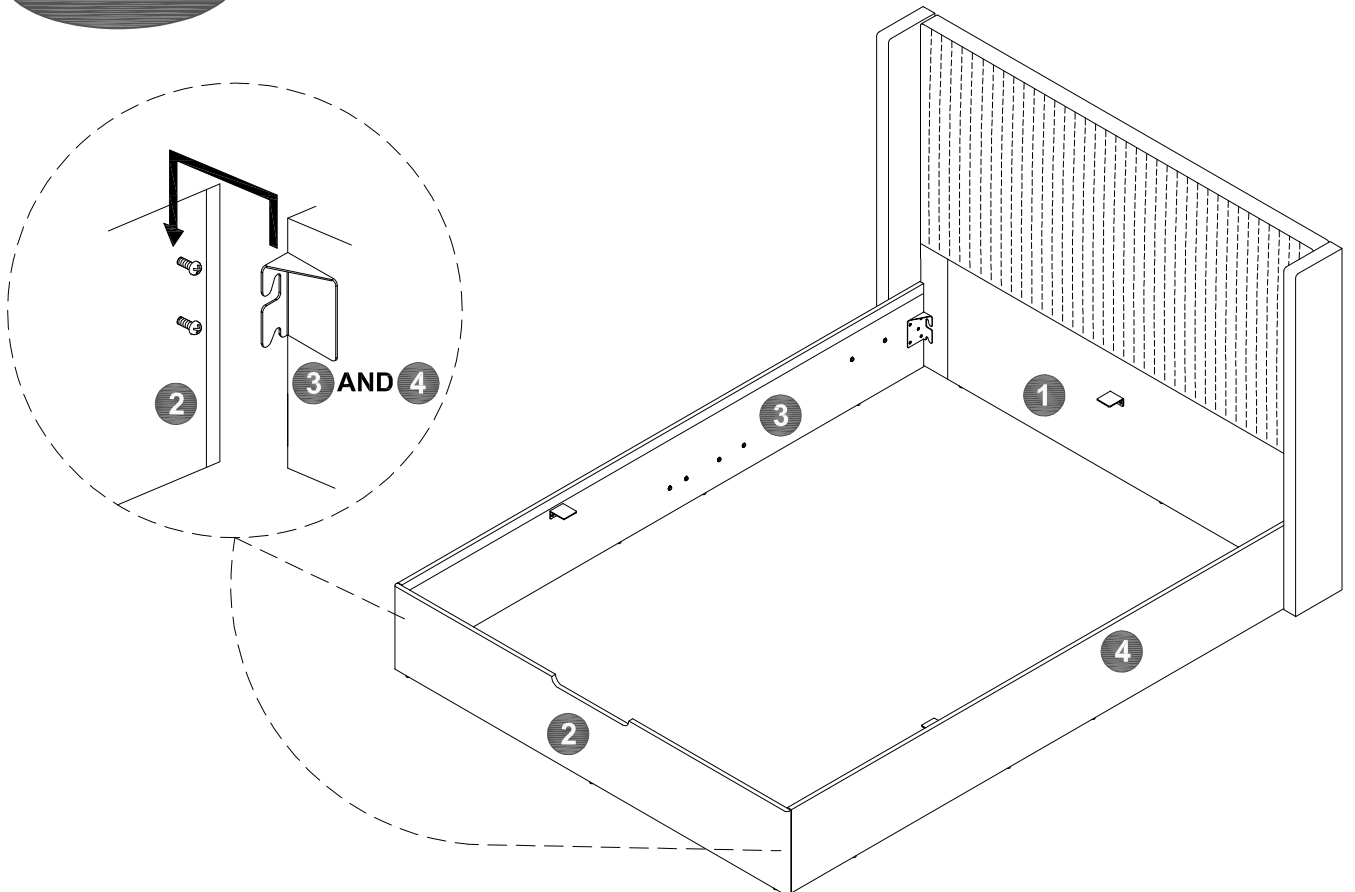


REAR VIEW

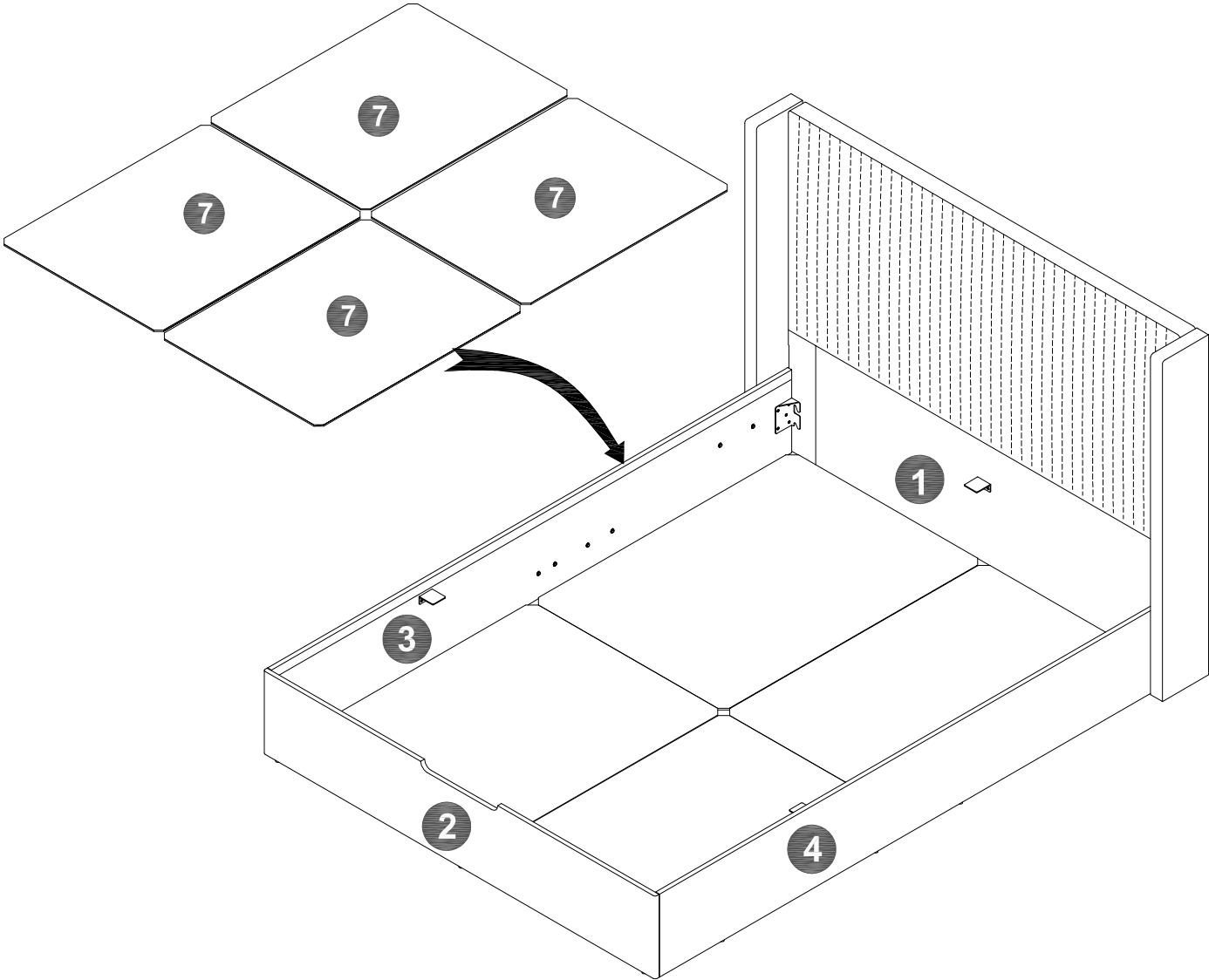
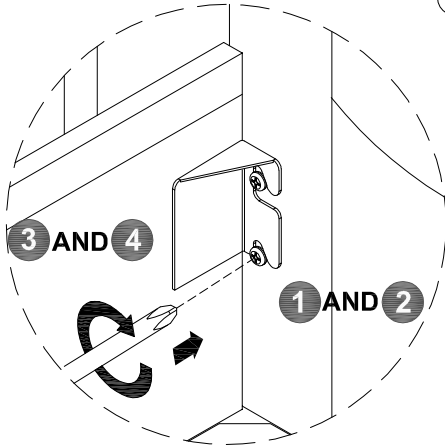
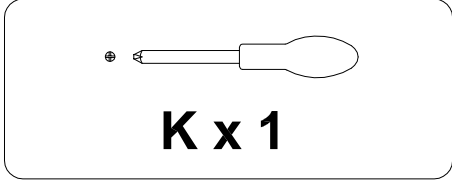
STEP 3



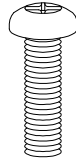
STEP 4



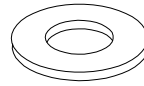
STEP 5



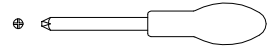
STEP 6



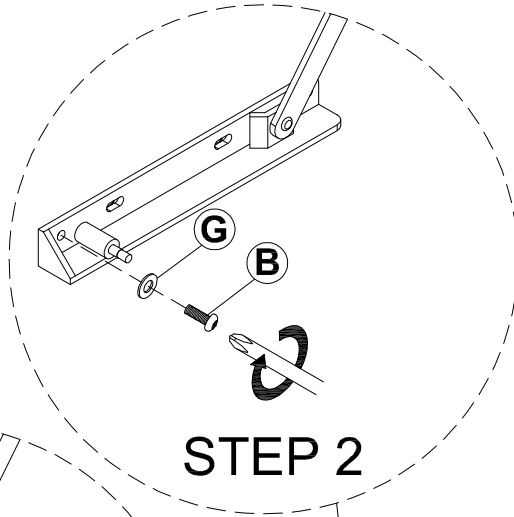
B x 12



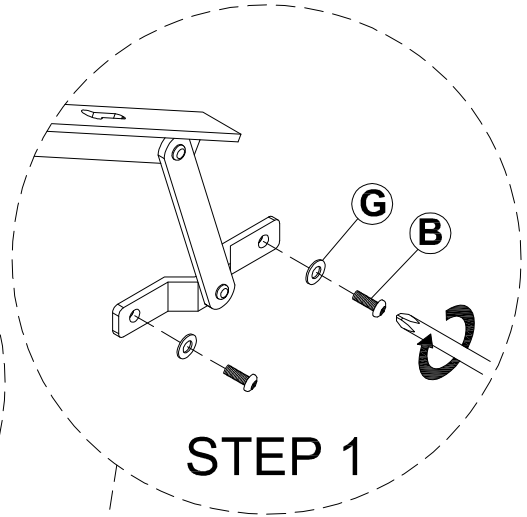
G x 12



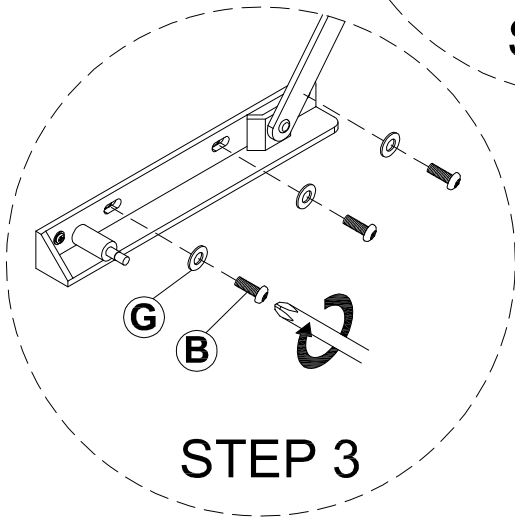
K x 1



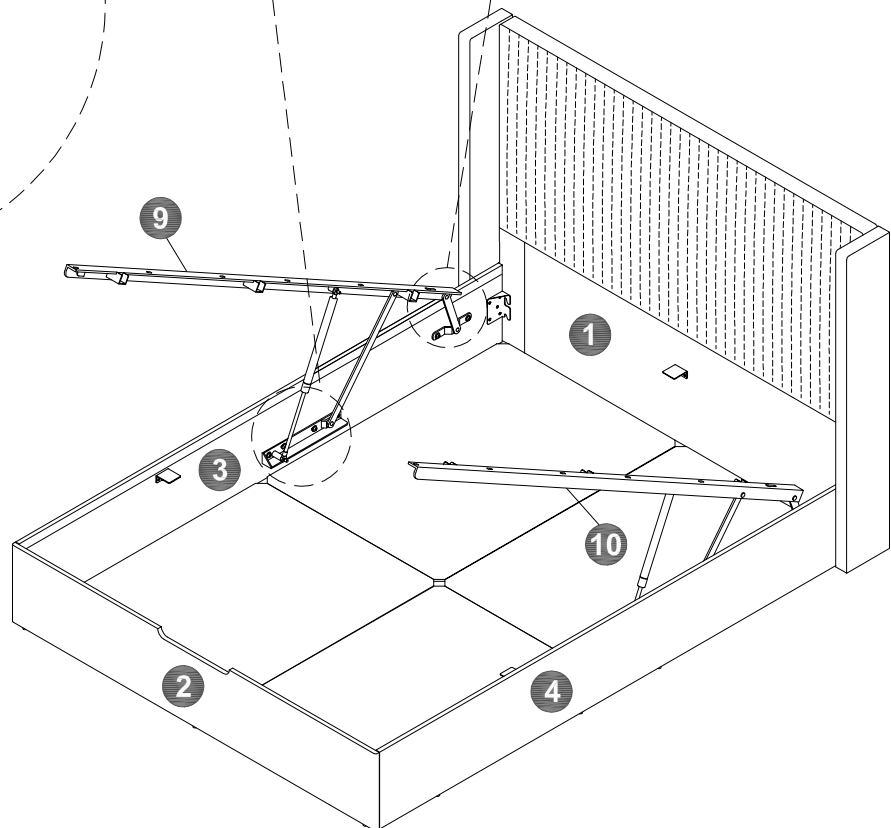
STEP 2



STEP 1



STEP 3



STEP 7



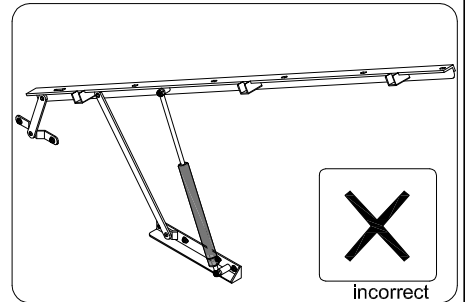
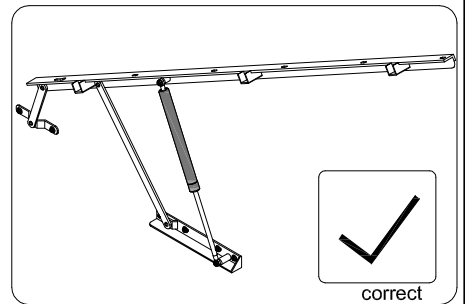
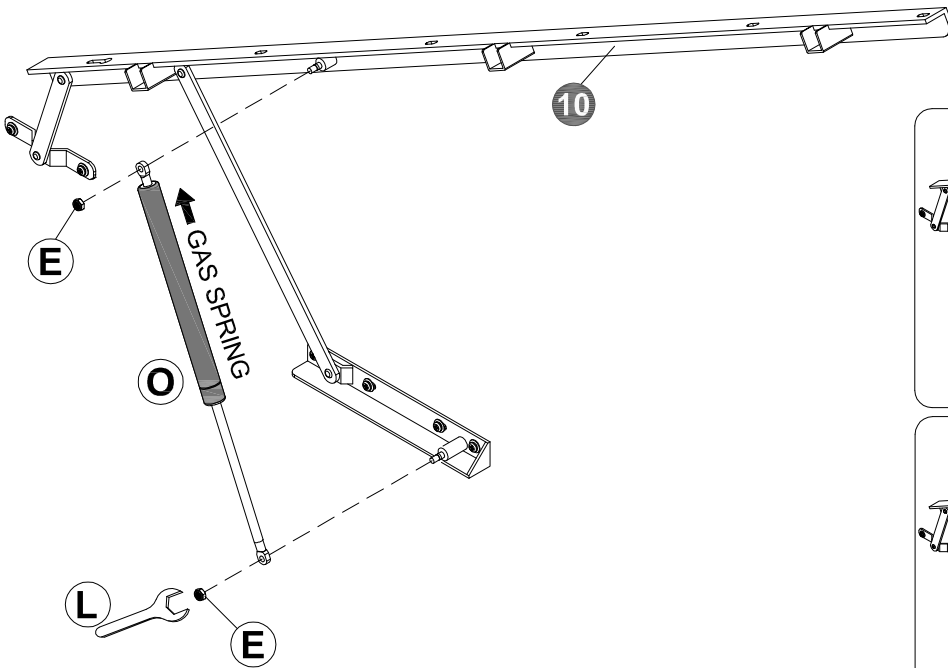
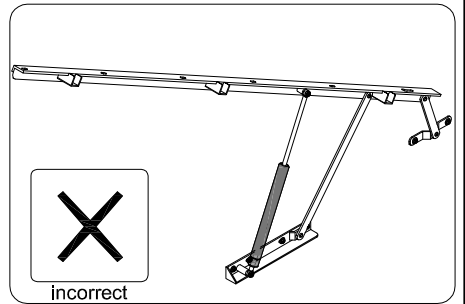
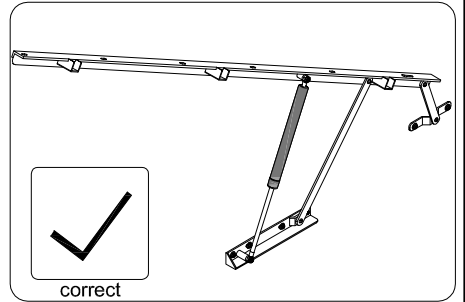
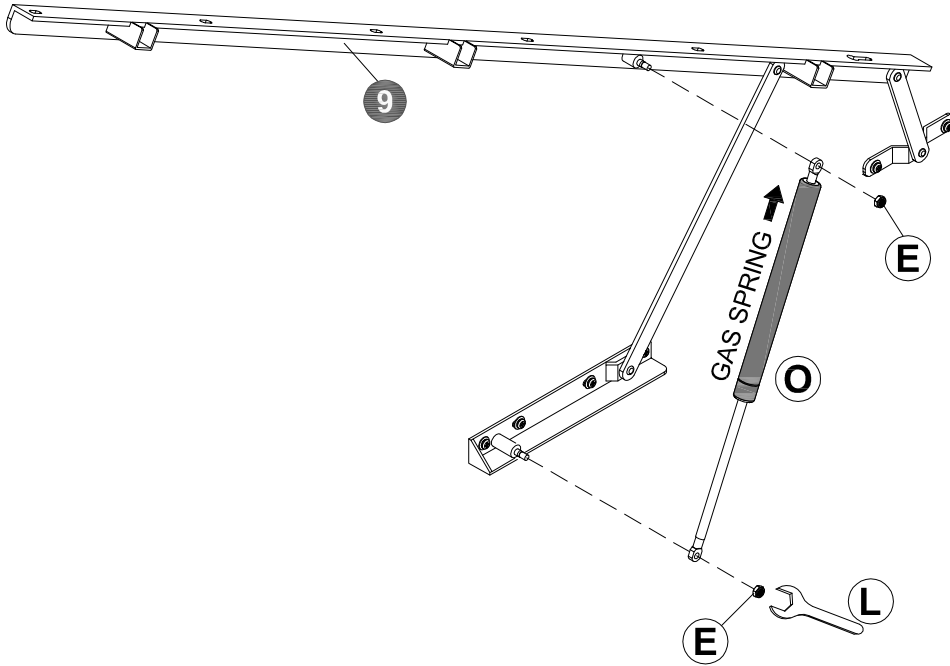
E x 4



O x 2

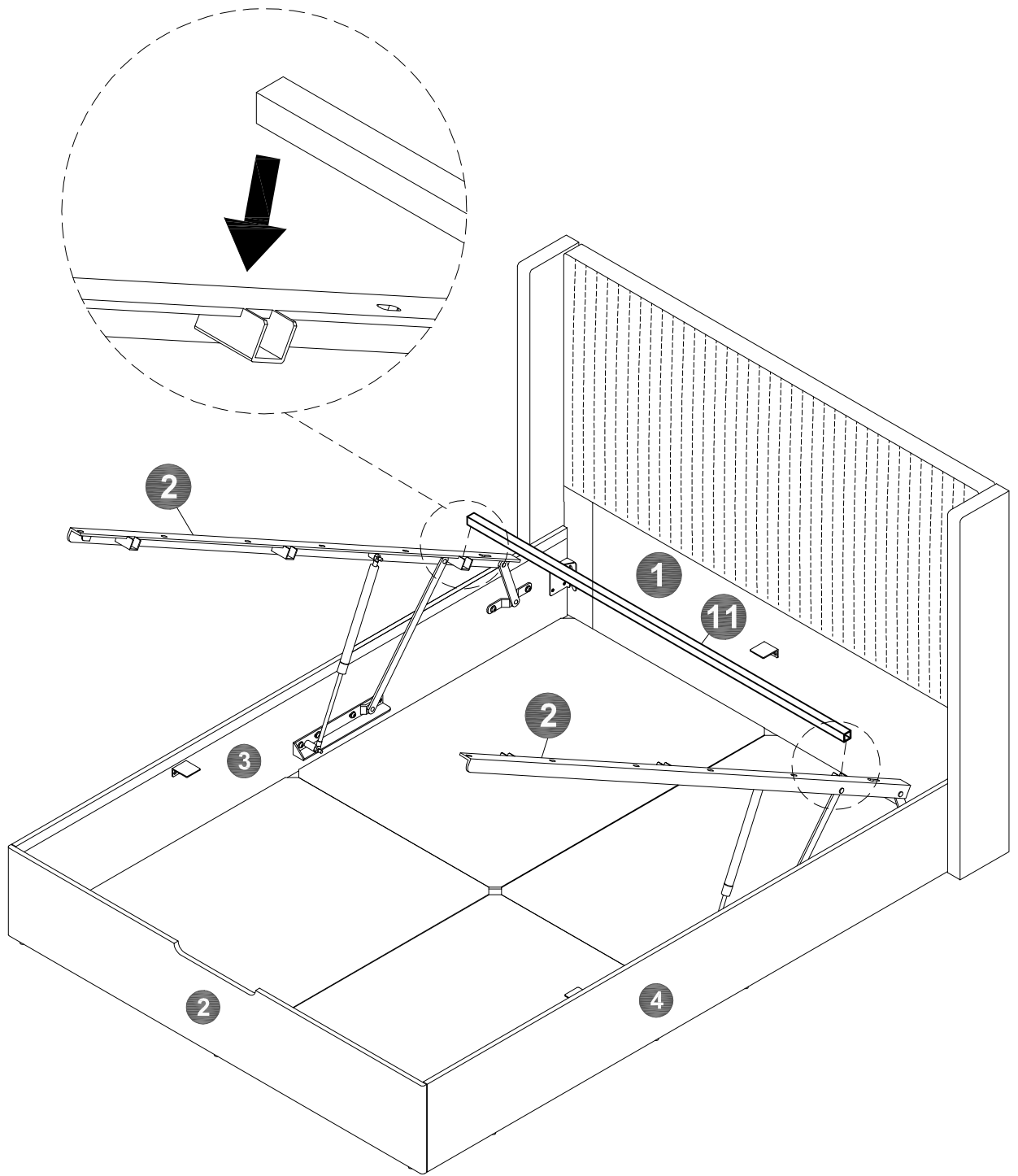


L x 1

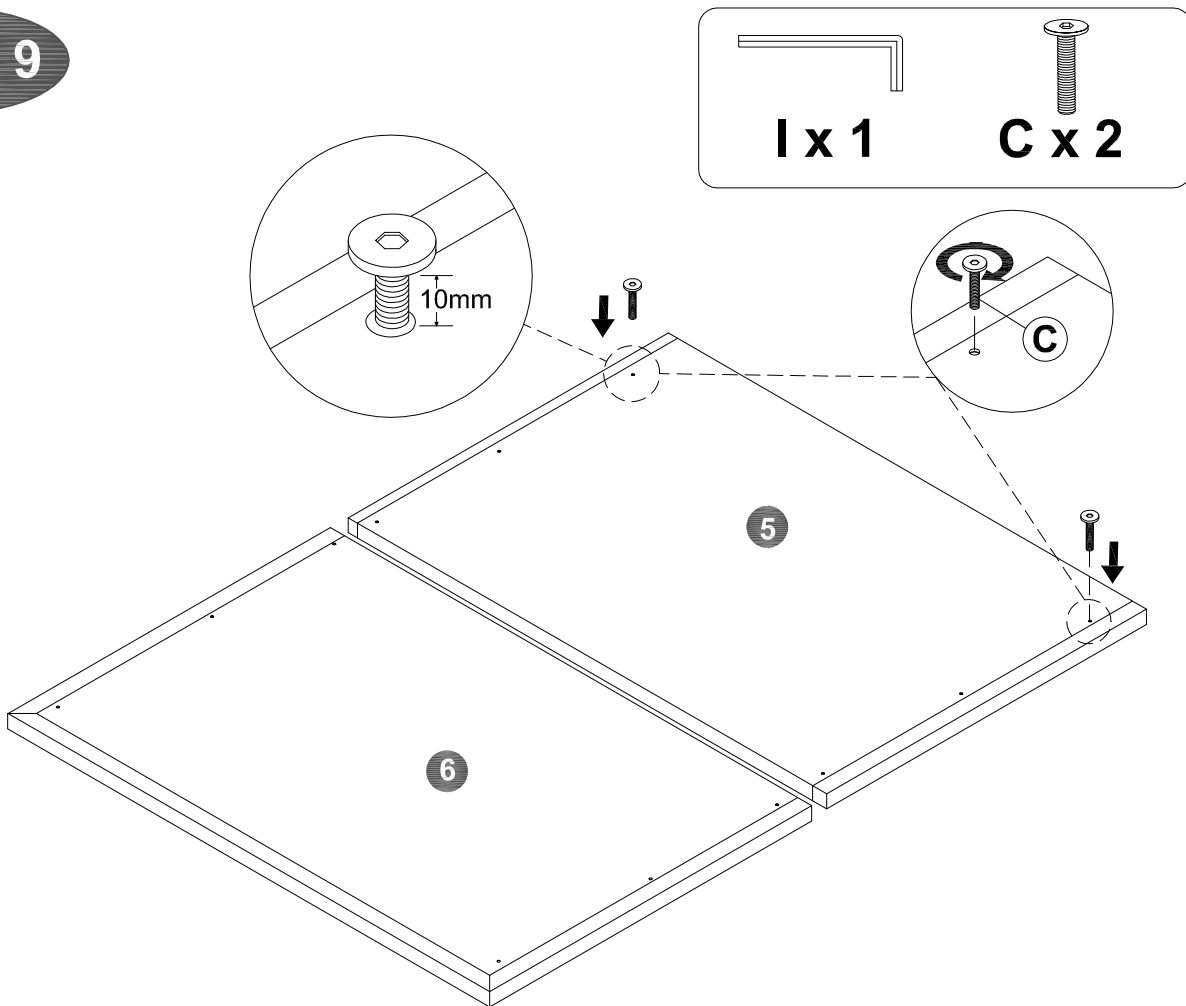


Fully tighten all nuts after attaching the pistons.

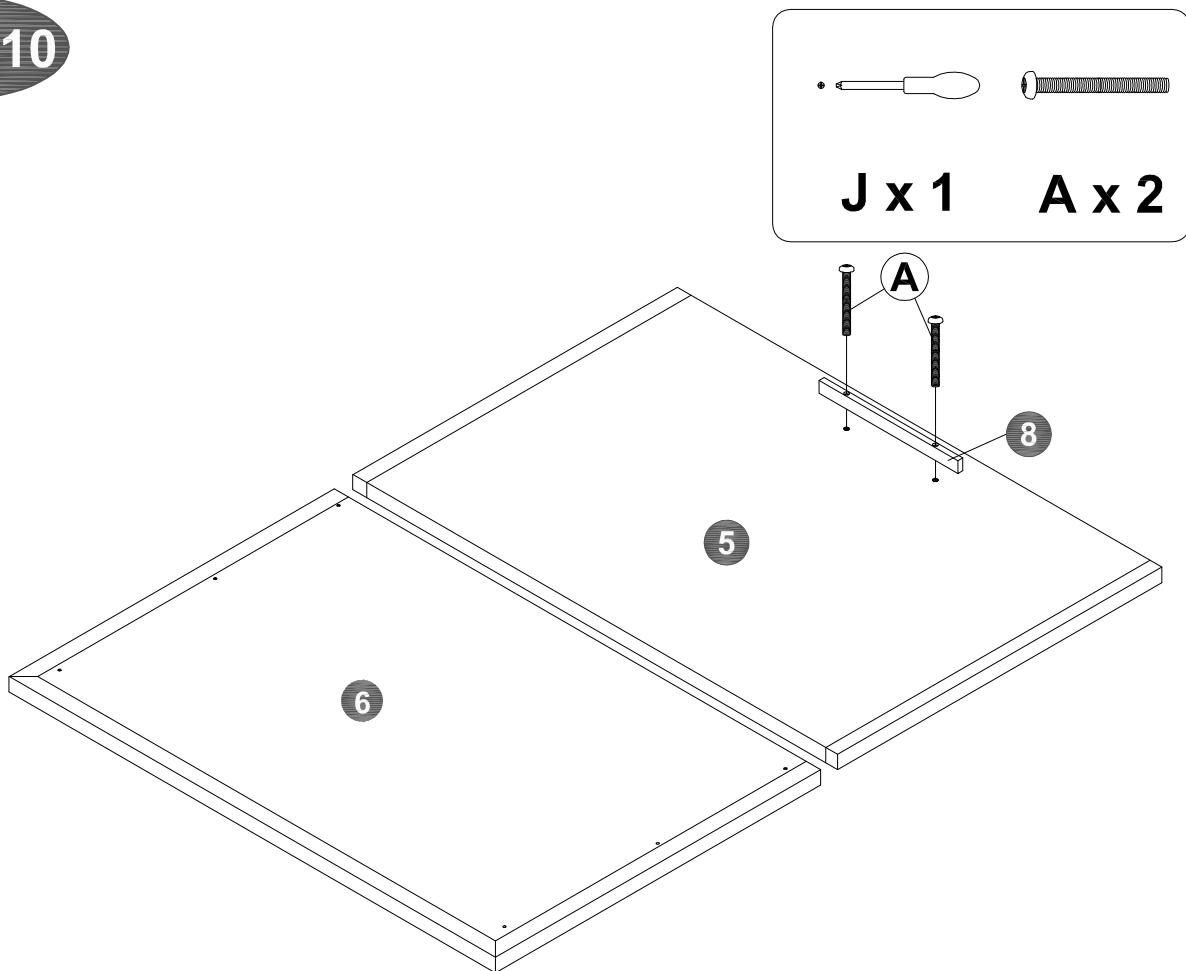
STEP 8



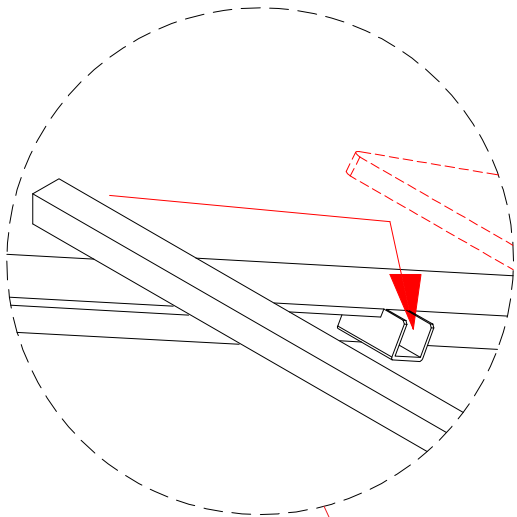
STEP 9



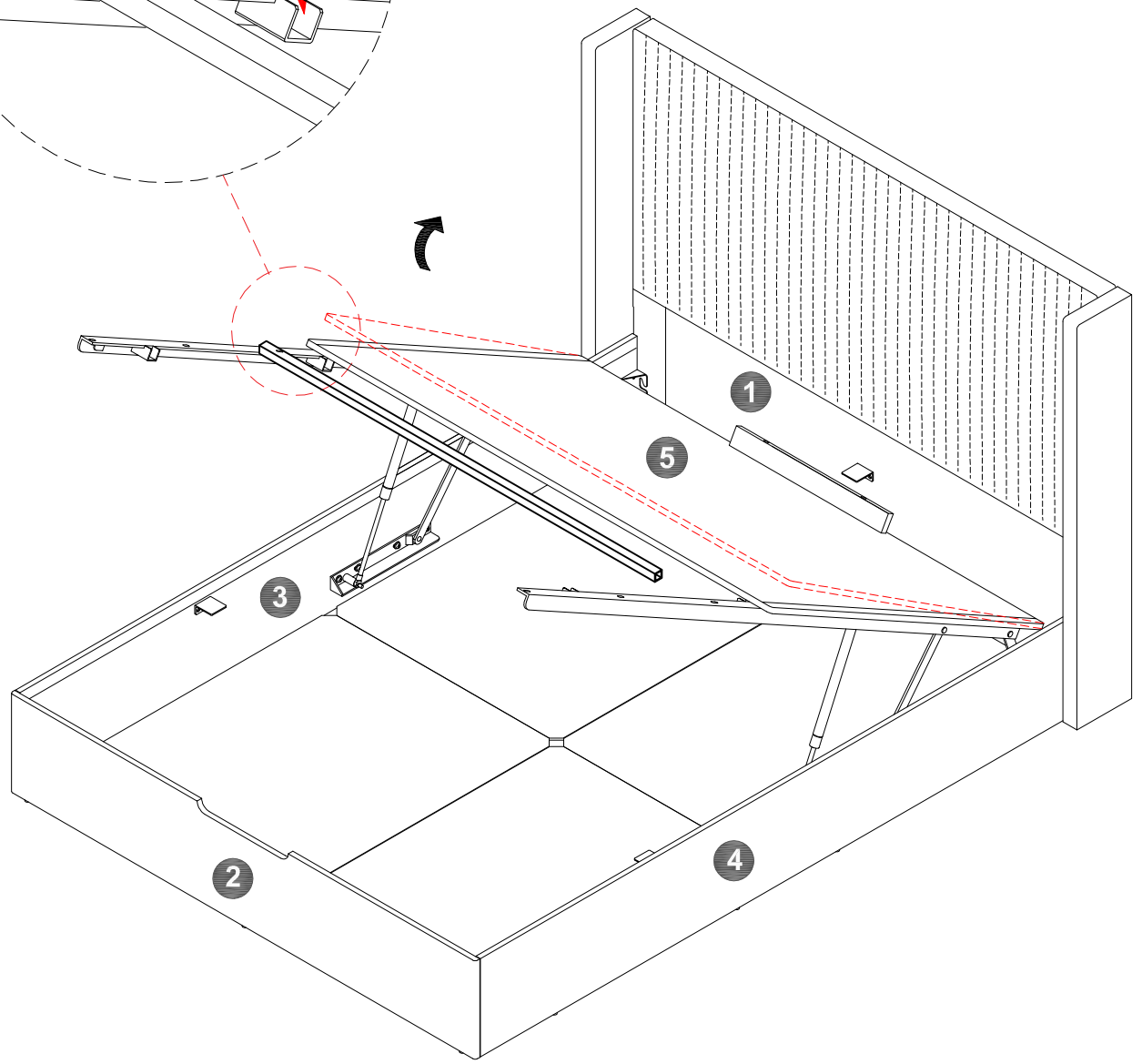
STEP 10



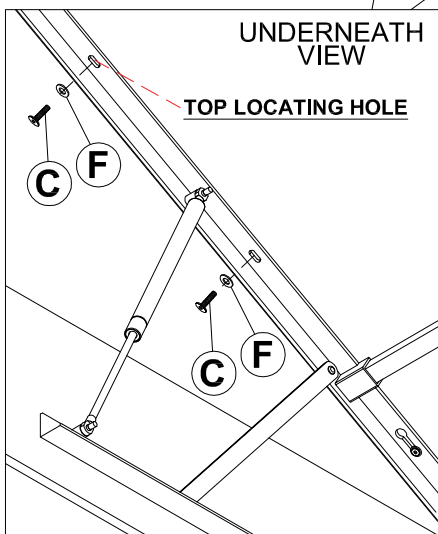
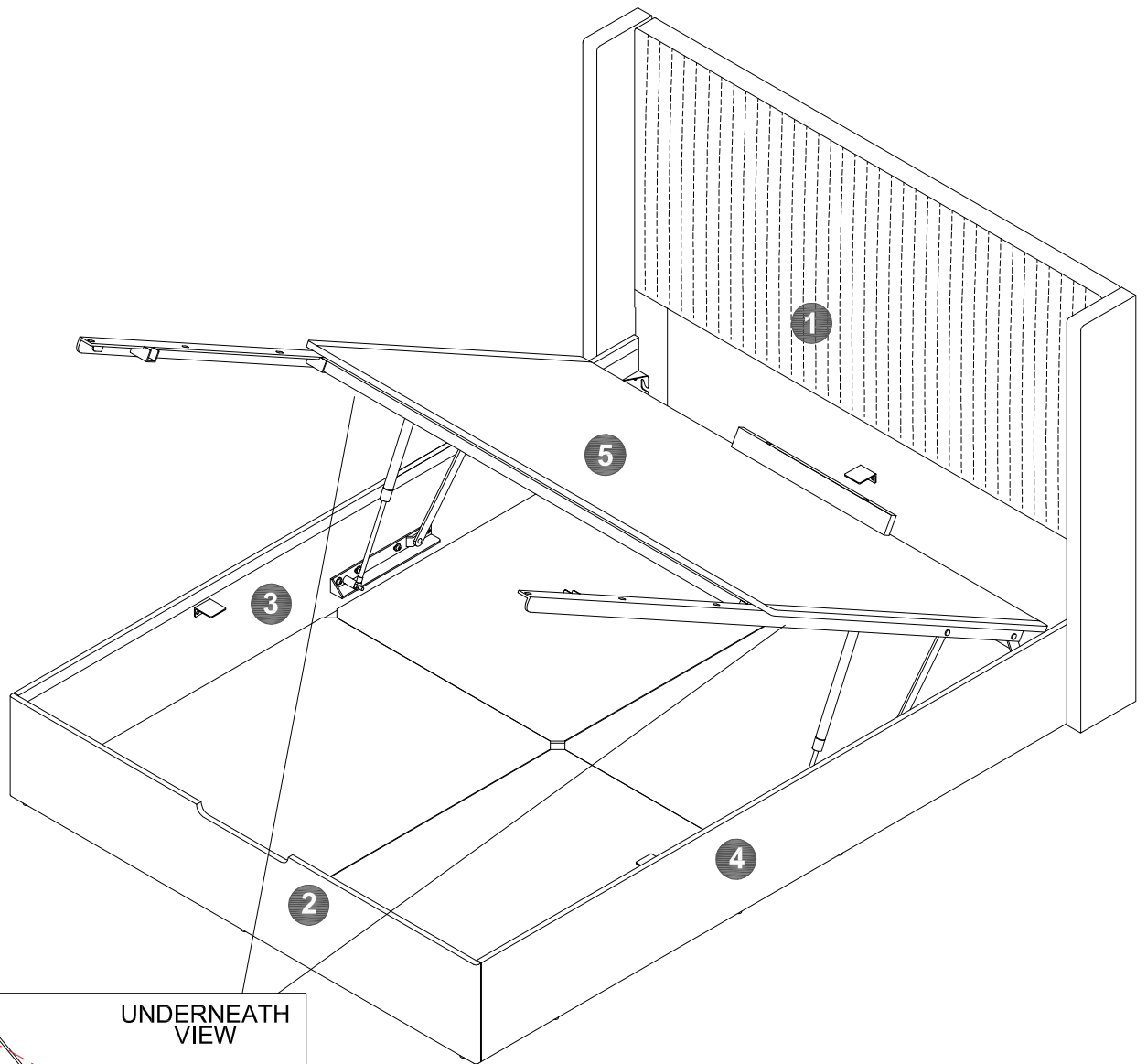
STEP 12



Attach the center cross rail (11) x1 into the slotted lift up mechanism as shown. raise the front lift base up by 20mm and slot in the cross rail into the mechanism.

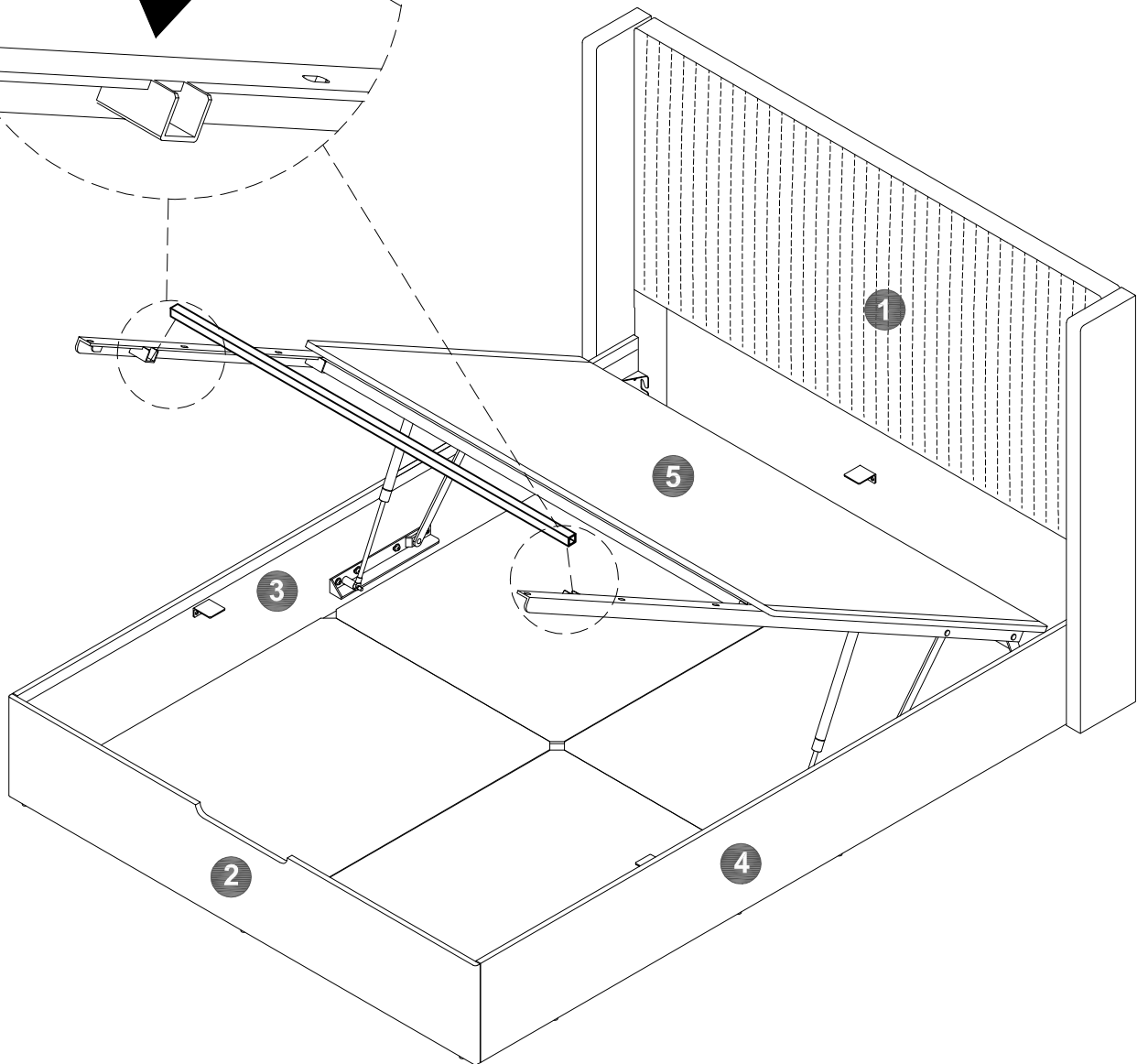
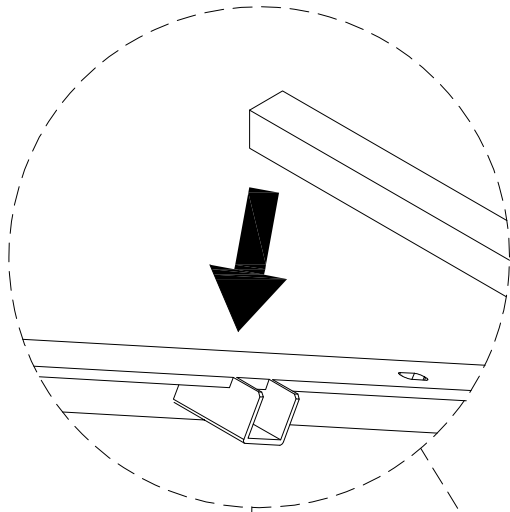


STEP 13

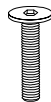


Tighten the **TOP LOCATING HOLES** first, then continued to tighten all others screws as shown by using allen key provided.

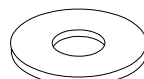
STEP 14



STEP 15



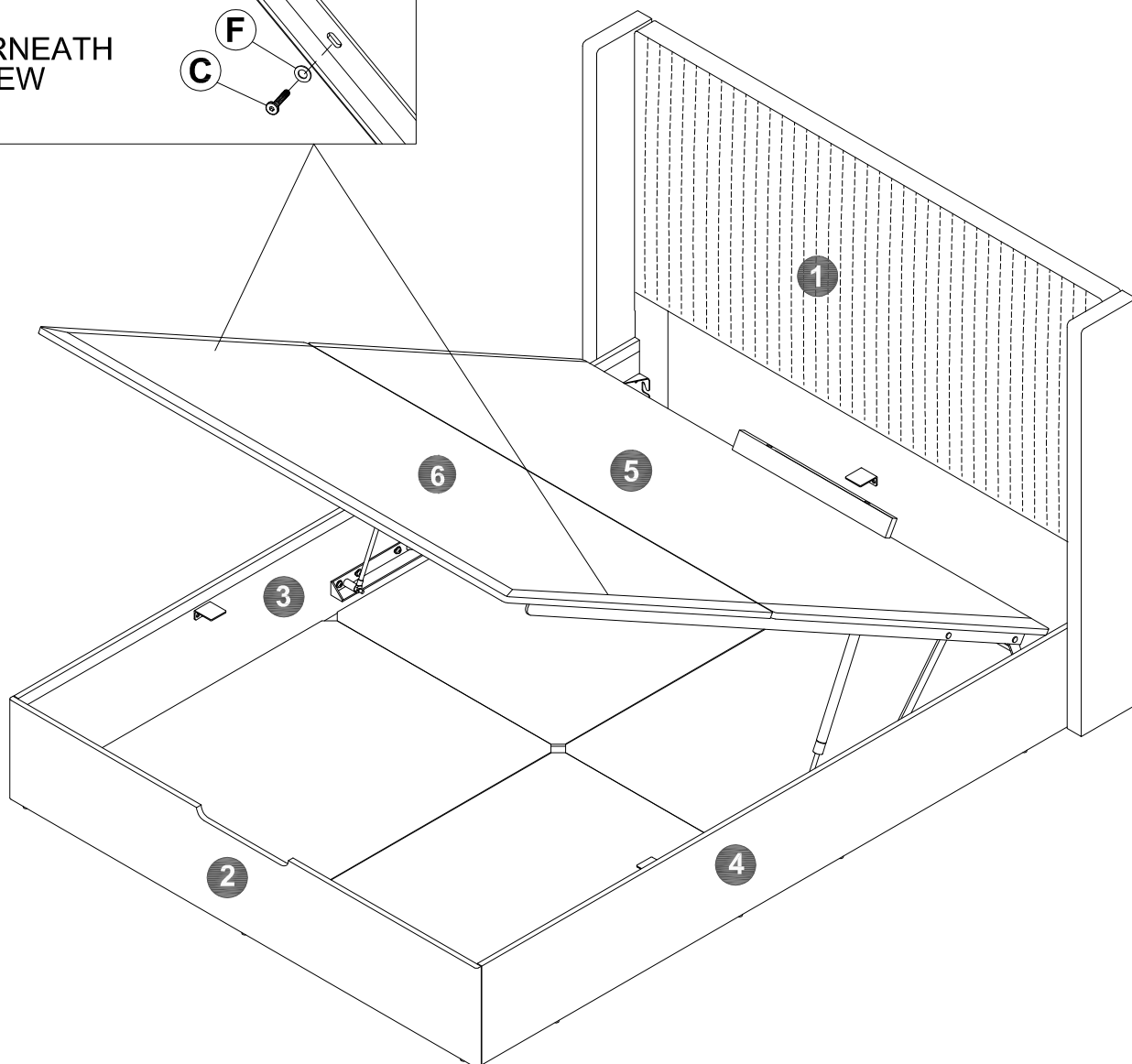
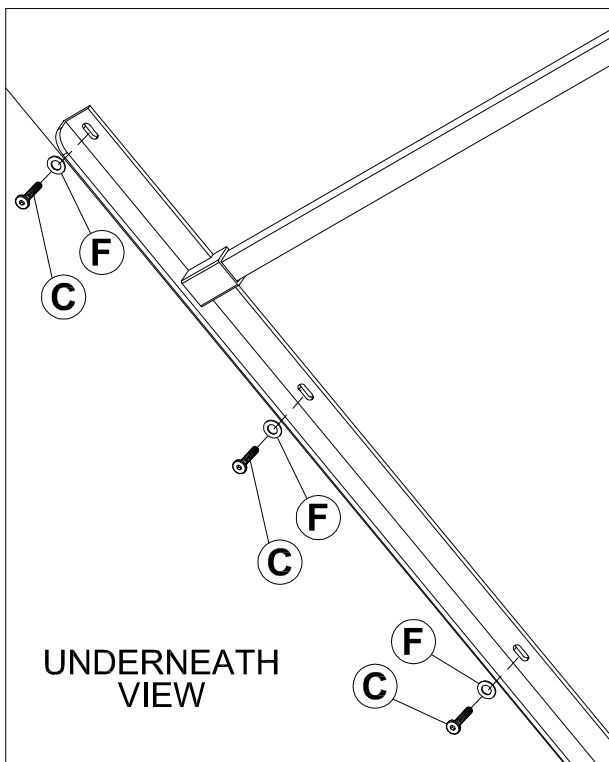
C x 6



F x 6

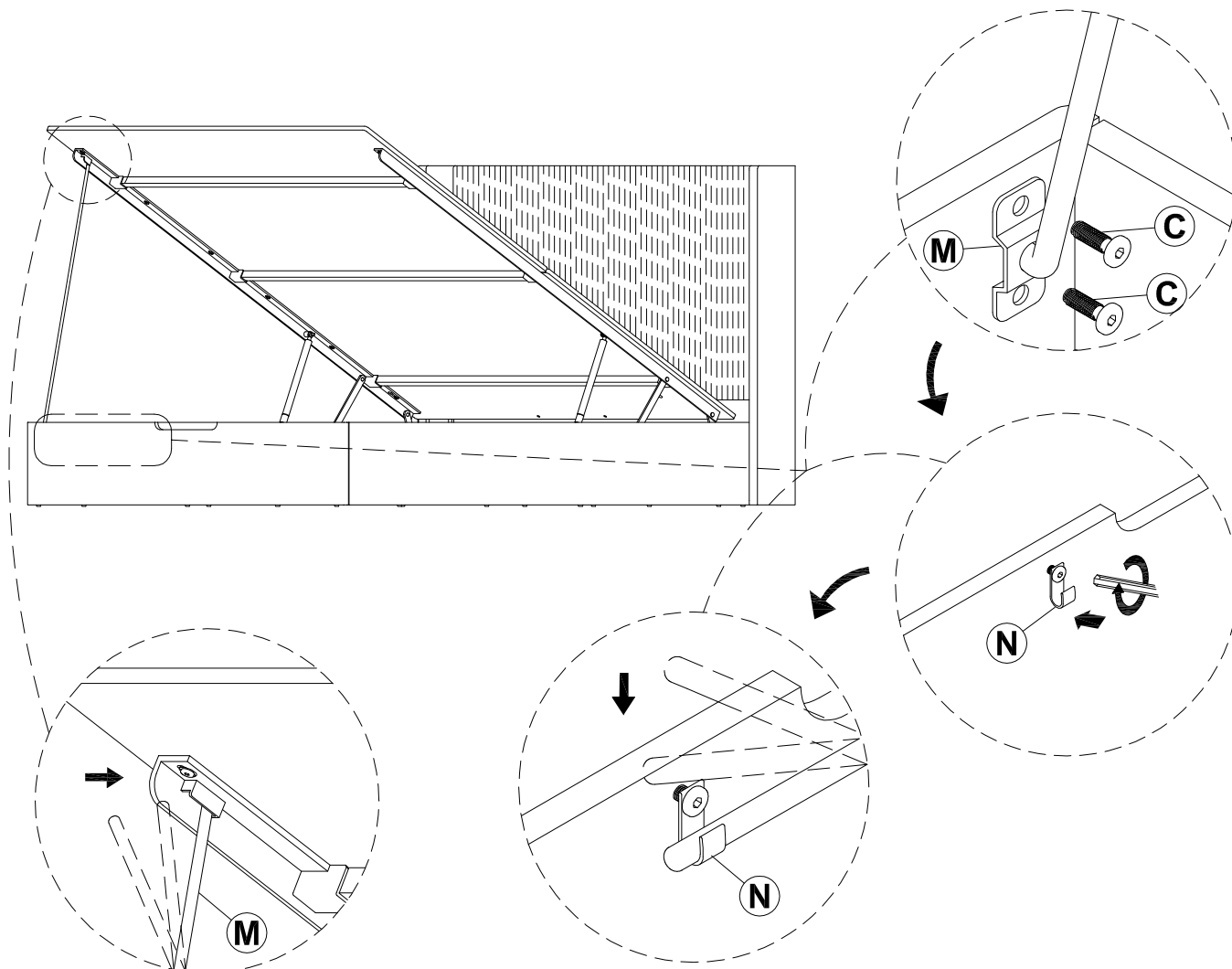


I x 1



STEP 16

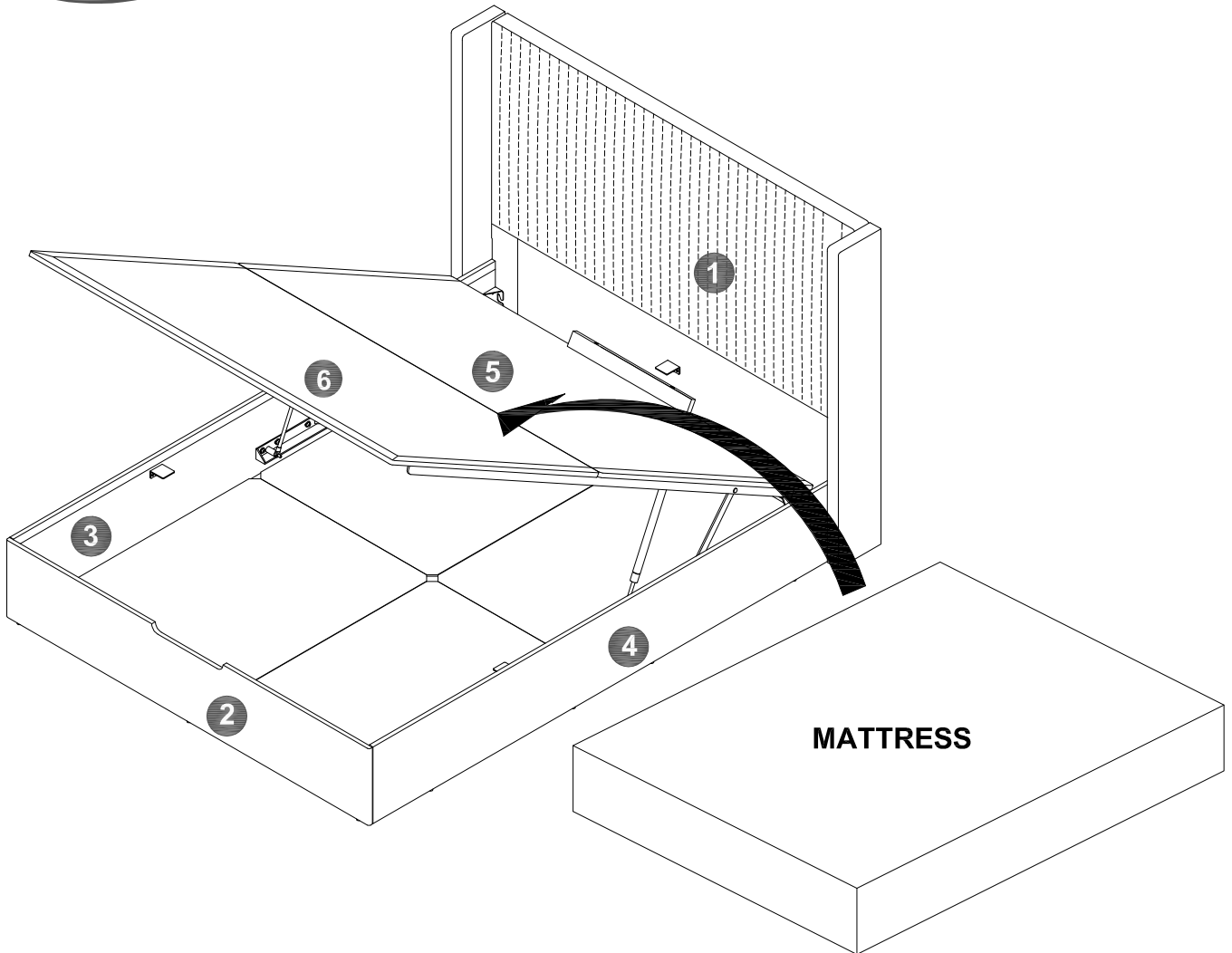
- Fix the Ottoman Support Bar (M) and Plastic Hook (N) to the footboard with bolt (C) as shown.
- Tighten the bolts.



HOW TO USE

1. WHEN ENGAGING THE OTTOMAN SUPPORT BAR, ENSURE THE LIFT BASE IS RAISED TO THE MAXIMUM OPENING EXTENSION.
2. LOCATE THE OTTOMAN SUPPORT BAR FROM UNDER THE LIFT BASE AND GUIDE THE SUPPORT BAR INTO THE BAR SLOT FIXED TO THE BED FRAME.
3. BEFORE CLOSE THE LIFT UP BASE, CAREFULLY HOLD THE LIFT UP BASE AND GUIDE THE SUPPORT BAR BACK INTO THE HOOK PROVIDED.
4. SLOWLY CLOSE THE LIFT UP BASE.

STEP 17



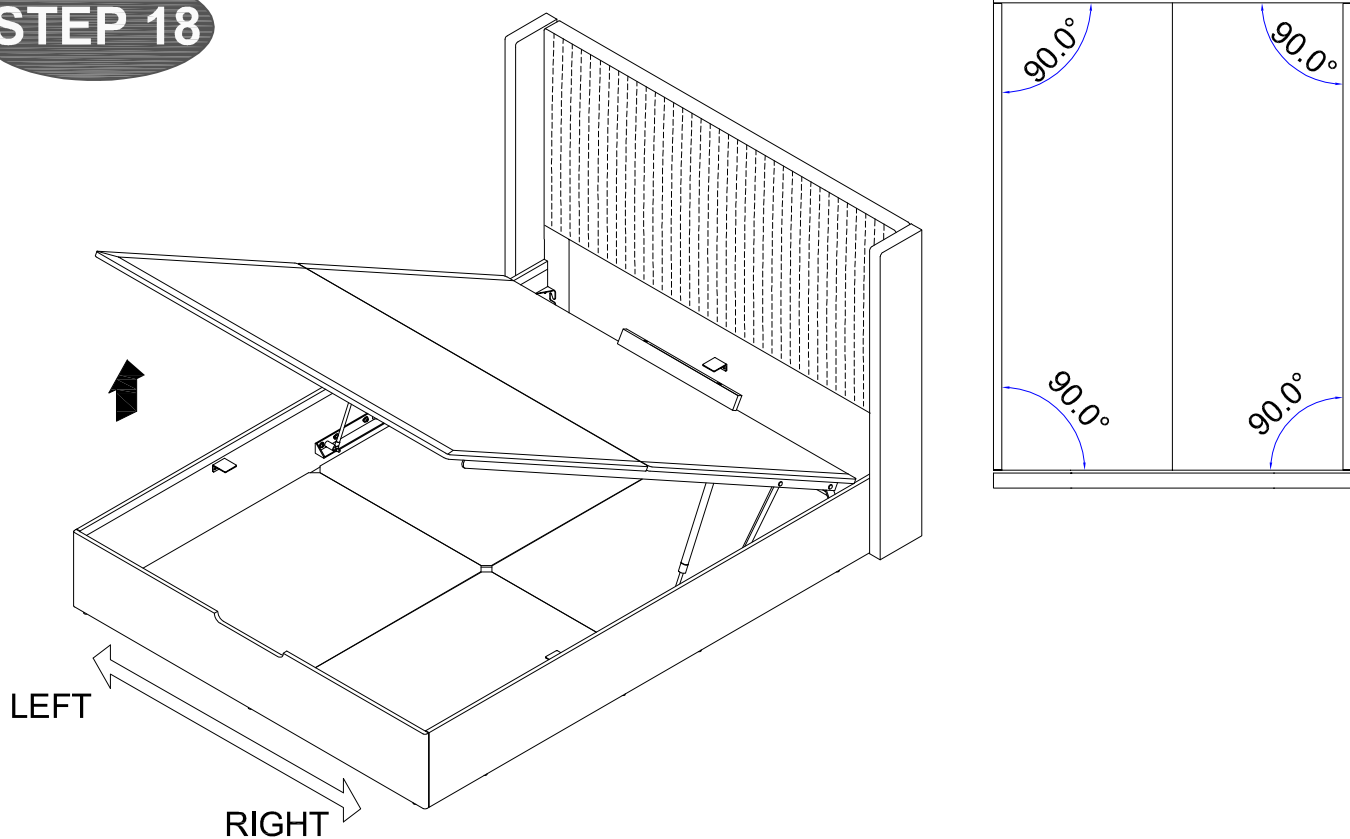
A. This Lift Mechanism provides assistance with the lift of the mattress fitted to the base - it does not lift the mattress for you. The system has been designed to effectively lift the base system fitted with a variety of mattress weights and combinations of depth. The combination of mattress weight and depth determines the degree of assistance provided by the mechanism.

B. Following installation of the mechanism lift / pull the base up and down a few times to free off the system. The gas cylinders fitted to the system may be stiff when first used or if the system has not been operated for a period of time. The mattress must be fitted to the base.

C. Lift up the mattress base using two hands - Pull the mattress base down using two hands equally spaced from the centre of the mattress base. **DO NOT** pull down on one side of the base only as this is likely to damage the base system with potential failure of the mattress base system and lift mechanism. **Do not operate the lift up mechanism without the mattress fitted to the base.**

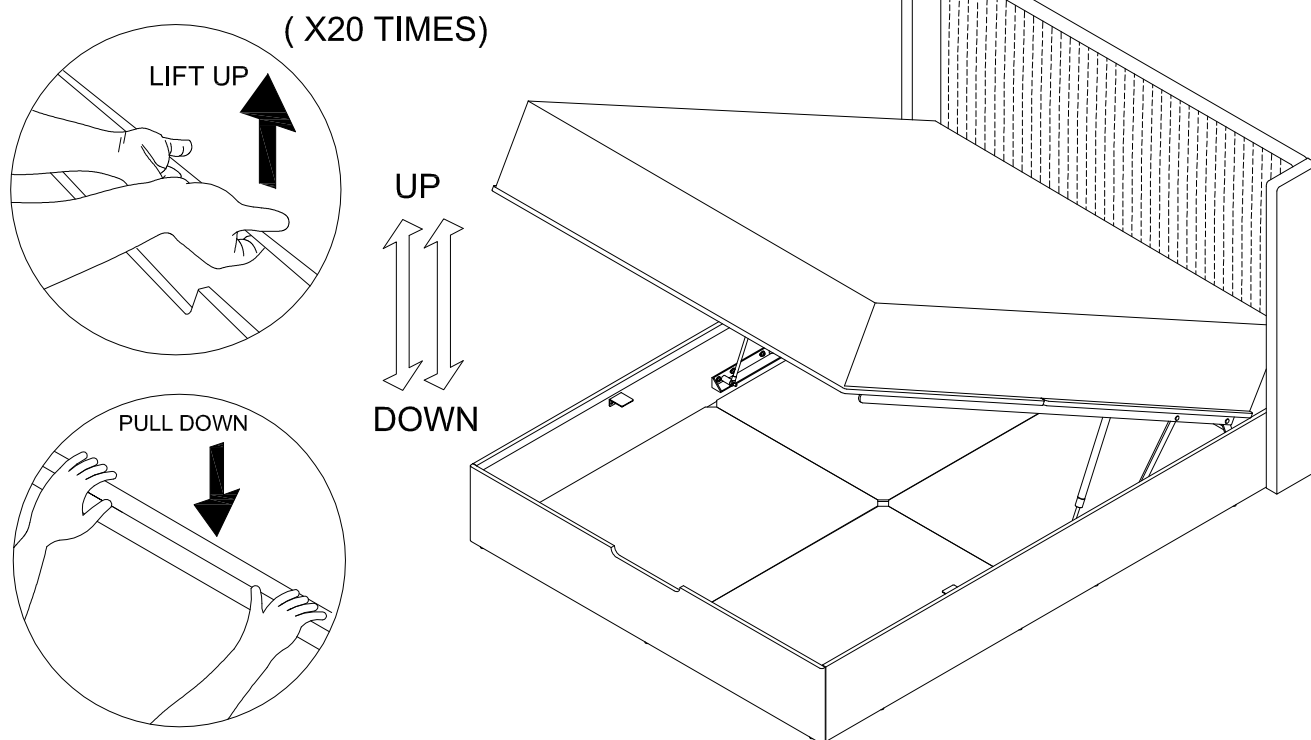
CAUTION : Do not allow children to operate the lift Mechanism.
Do not allow children near the lift base when operating the Mechanism.
Do not allow children in the area of the internal storage base.
Keep hands clear of the mechanism when operating the base system.
Do not stand inside the bed / on the internal storage base.
Do not overload the internal storage base.

STEP 18



~ Make sure the Bed Frame 4 side angles are at 90 degrees before you closing the lift base.

STEP 19



~ The mattress must be fitted to the base. (Do not operate the lift up mechanism without the mattress fitted to the base.)

~ Lift Up and Down the Lift-Up Frame with Mattress at least 20 times before use.